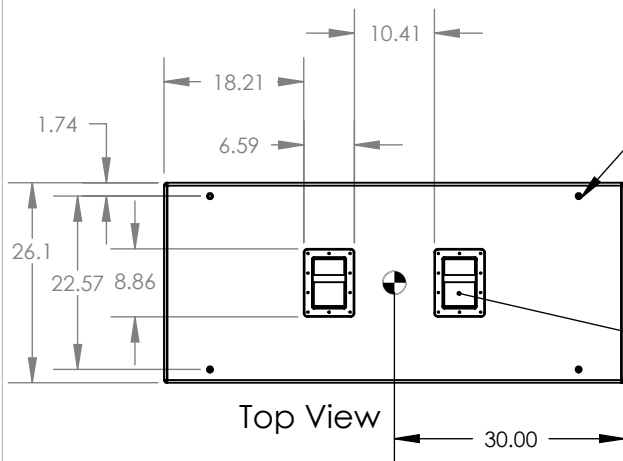


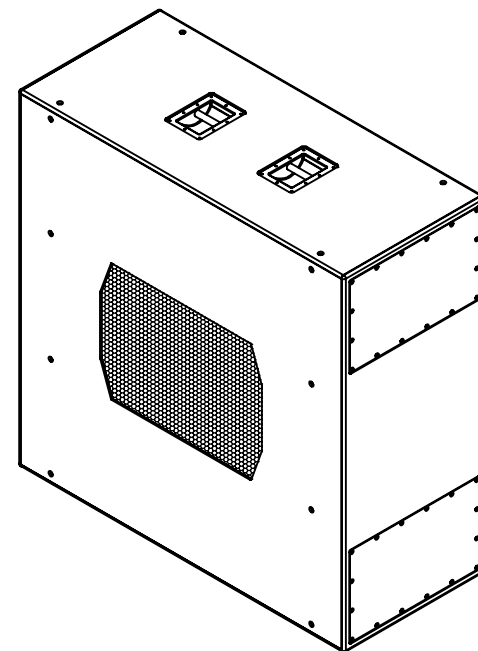


Equals Center of Gravity

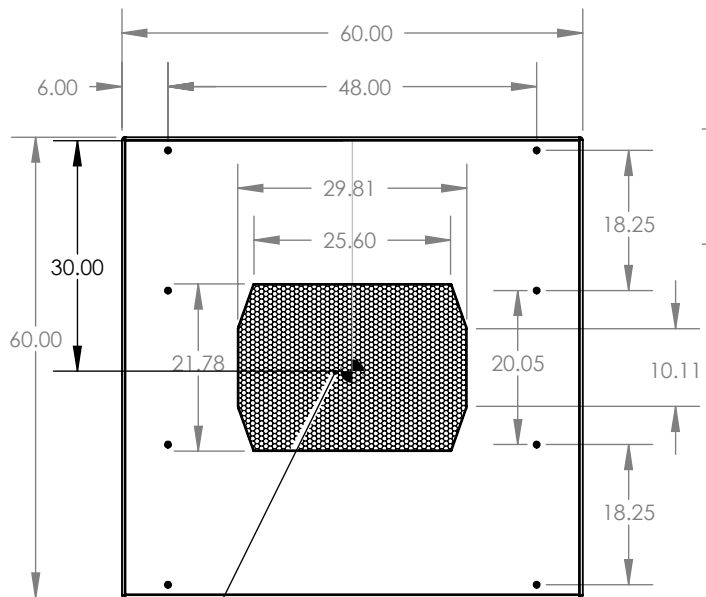


Attachment Points:
 4 Top
 4 Bottom
 8 Front
 8 Back
 External Fly Straps Required

Steel Handle: 2 Plcs

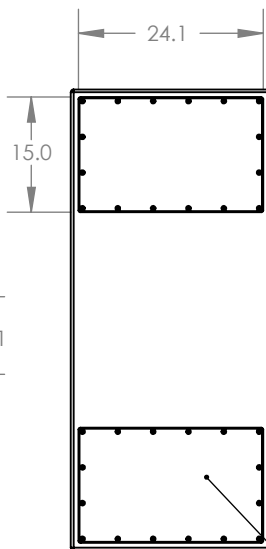


Isometric View

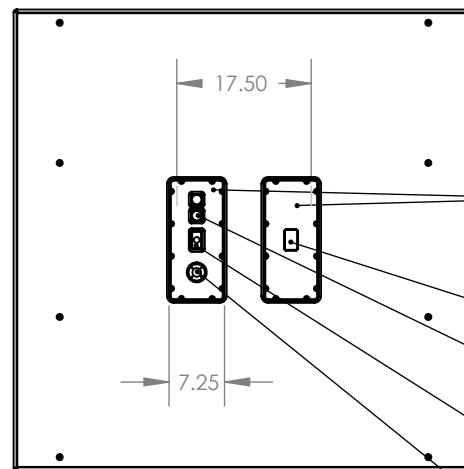


Grill

Front View



Rt View



Access Panel: 4 Plcs

I/O Panel
(or)
Amp: 2 Places

Info Label

NL8:
2 Places

Impedance
Switch

NL4: 1 Place

PROPRIETARY AND CONFIDENTIAL
 THE INFORMATION CONTAINED IN THIS DRAWING IS THE SOLE PROPERTY OF QUALITY MUSICAL SYSTEMS, INC. ANY REPRODUCTION IN PART OR AS A WHOLE WITHOUT THE WRITTEN PERMISSION OF QUALITY MUSICAL SYSTEMS, INC. IS PROHIBITED.

MATERIAL

FINISH

DO NOT SCALE DRAWING

UNLESS OTHERWISE SPECIFIED:
 DIMENSIONS ARE IN INCHES
 TOLERANCES:
 FRACTIONAL ±
 ANGULAR: MACH ± BEND ±
 TWO PLACE DECIMAL ±
 THREE PLACE DECIMAL ±

DRAWN	TBW	12/8/2014
ENG APPR.		
MFG APPR.		
Q.A.		

Danley Sound Labs

TITLE: BC415I

SIZE **A** Plan View

SCALE: 1:16



REV 1

Last Save Date: Monday, December 08, 2014 2:03:08 PM