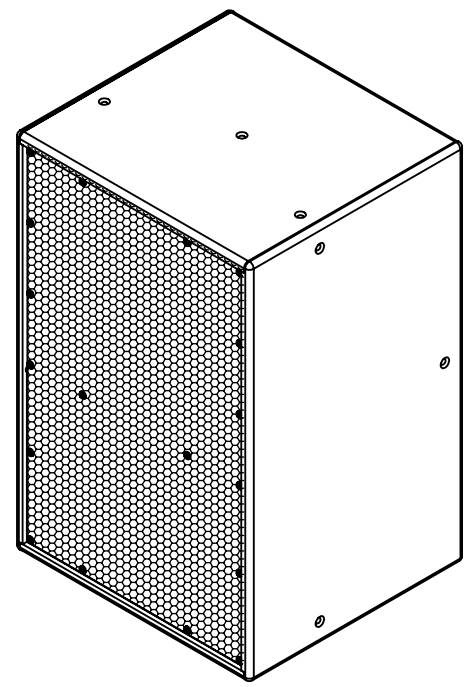
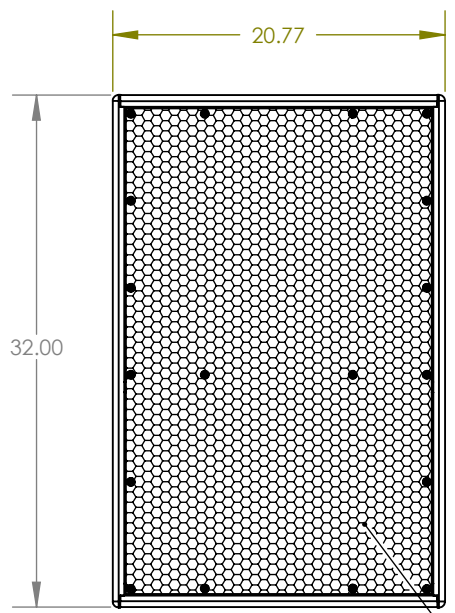


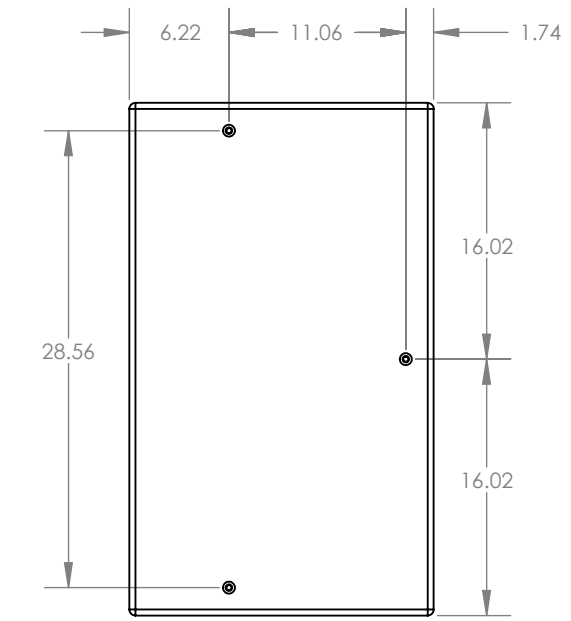
Attachment Points:  
 Top: 3 Places  
 Bottom: 3 Places  
 Right Side: 3 Places  
 Left Side: 3 Places  
 Bottom: 3 Places  
 Back: 2 Places



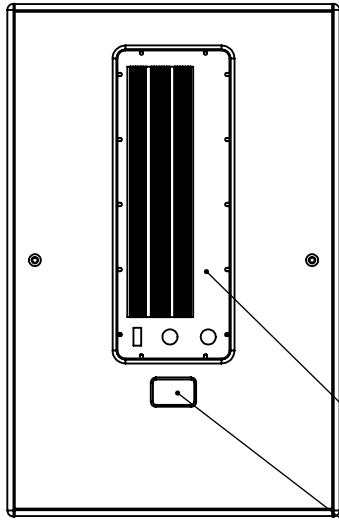
Isometric View



Front View



Right View



Back View

IO Panel or Amp

Info Label

Perforated Grill

<b>PROPRIETARY AND CONFIDENTIAL</b> THE INFORMATION CONTAINED IN THIS DRAWING IS THE SOLE PROPERTY OF QUALITY MUSICAL SYSTEMS, INC. ANY REPRODUCTION IN PART OR AS A WHOLE WITHOUT THE WRITTEN PERMISSION OF QUALITY MUSICAL SYSTEMS, INC. IS PROHIBITED.	MATERIAL	UNLESS OTHERWISE SPECIFIED: DIMENSIONS ARE IN INCHES TOLERANCES: FRACTIONAL ± ANGULAR: MACH ± BEND ± TWO PLACE DECIMAL ± THREE PLACE DECIMAL ±	DRAWN	TBW	7/9/2013	Danley Sound Labs TITLE: SM100FI		
	FINISH		ENG APPR.					SIZE <b>A</b> Plan View
	DO NOT SCALE DRAWING		MFG APPR.				SCALE: 1:12	Last Save Date: Tuesday, July 09, 2013 2:18:20 PM
			Q.A.					

5

4

3

2

1