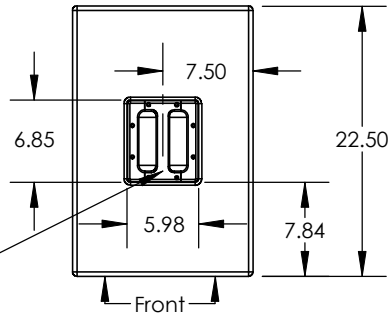
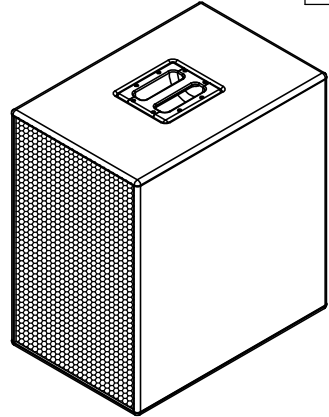


ZONE	REV.	DESCRIPTION	DATE	APPROVED
N/A	A	Approved for Production	8/29/08	MH

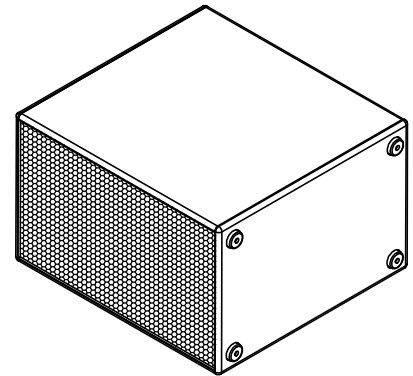
Handle:
1 Place



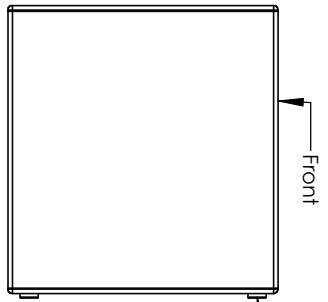
Top View



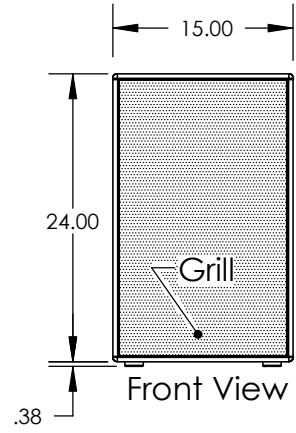
Vertical Isometric View



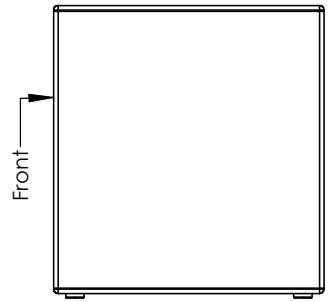
Horizontal Isometric View



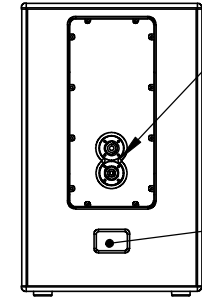
Left Side



Front View



Right View

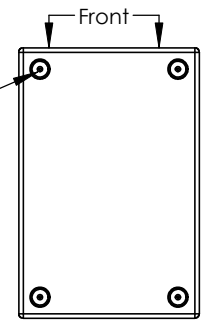


Back View

IO Panel:
NL4 2 Places
(or)
Power Amp

Info Label

Rubber Feet:
4 Places



Bottom View

PROPRIETARY AND CONFIDENTIAL THE INFORMATION CONTAINED IN THIS DRAWING IS THE SOLE PROPERTY OF QUALITY MUSICAL SYSTEMS, INC. ANY REPRODUCTION IN PART OR AS A WHOLE WITHOUT THE WRITTEN PERMISSION OF QUALITY MUSICAL SYSTEMS, INC. IS PROHIBITED.	MATERIAL	UNLESS OTHERWISE SPECIFIED: DIMENSIONS ARE IN INCHES TOLERANCES: FRACTIONAL ± ANGULAR: MACH ± BEND ± TWO PLACE DECIMAL ± THREE PLACE DECIMAL ±	DRAWN	TBW	9/3/2008	Danley Sound Labs		
	FINISH		ENG APPR.			TITLE: CS30T		
	DO NOT SCALE DRAWING		MFG APPR.			SIZE A	Plan View	REV A
			Q.A.			Last Save Date: Wednesday, September 03, 2008 8:49:42 AM		