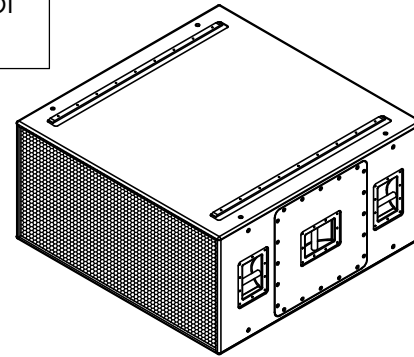
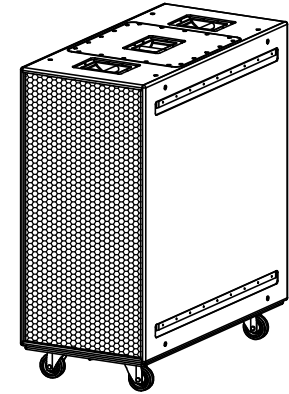


• = Suspension Point Symbol
 ● = Center of Gravity Symbol
 (to be determined)

Suspension Points:
 (4) on Top
 (4) on Bottom
 (4) on Rt Side
 (4) on Lt Side

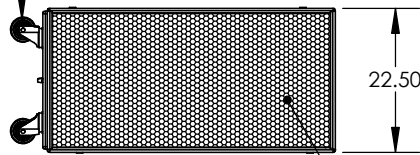


Isometric View



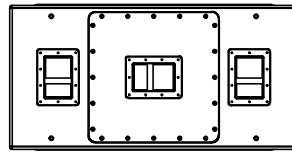
Transport Mode:
 Shown with optional
 Caster Board

Caster Board Assembly:
 Shown for Reference

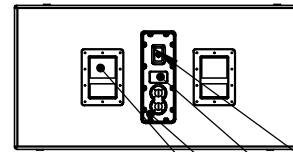


Front View

Grill

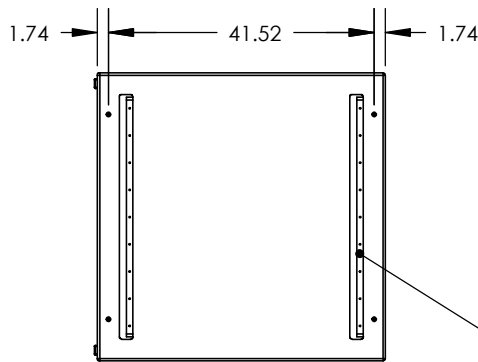


Rt Side



Back

Switch
 Info Label
 NL4 x2
 Handle:
 8 Places



Bottom View

Locking Runners

PROPRIETARY AND CONFIDENTIAL
 THE INFORMATION CONTAINED IN THIS
 DRAWING IS THE SOLE PROPERTY OF
 QUALITY MUSICAL SYSTEMS, INC. ANY
 REPRODUCTION IN PART OR AS A WHOLE
 WITHOUT THE WRITTEN PERMISSION OF
 QUALITY MUSICAL SYSTEMS, INC. IS
 PROHIBITED.

MATERIAL
 FINISH
 DO NOT SCALE DRAWING

UNLESS OTHERWISE SPECIFIED:
 DIMENSIONS ARE IN INCHES
 TOLERANCES:
 FRACTIONAL ±
 ANGULAR: MACH ± BEND ±
 TWO PLACE DECIMAL ±
 THREE PLACE DECIMAL ±

DRAWN	TBW	1/7/2011
ENG APPR.		
MFG APPR.		
Q.A.		

Danley Sound Labs		
TITLE: DBH218 Touring		
SIZE A	Plan View	REV A
SCALE: 1:24		Last Save Date: Friday, January 07, 2011 7:13:54 AM