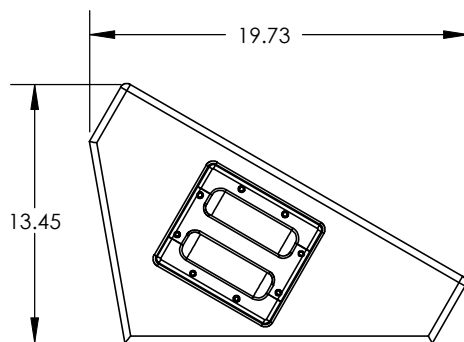
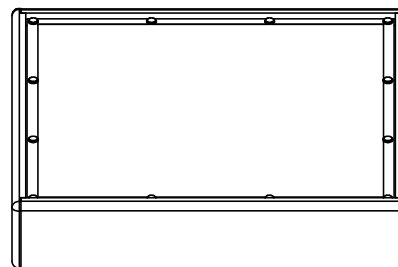


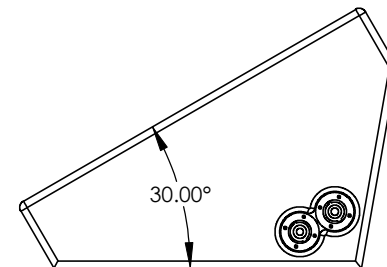
Dimetric View:
30 Degree Position



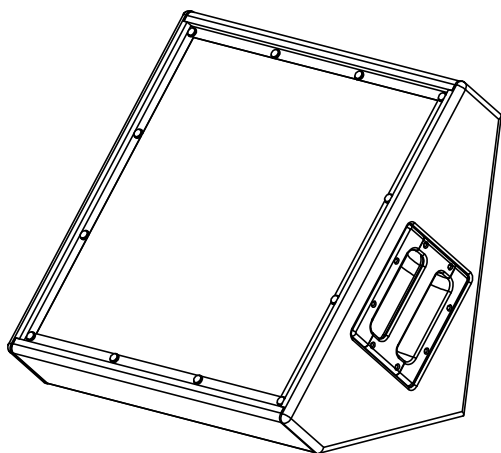
Lt Side



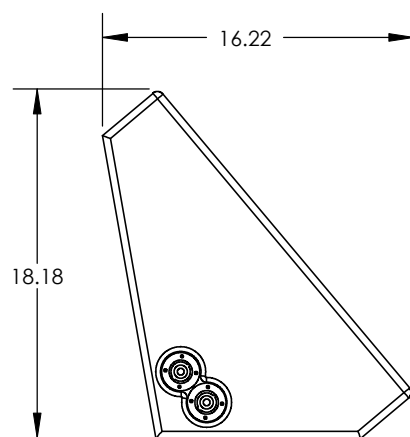
Front View:
30 Degree Position



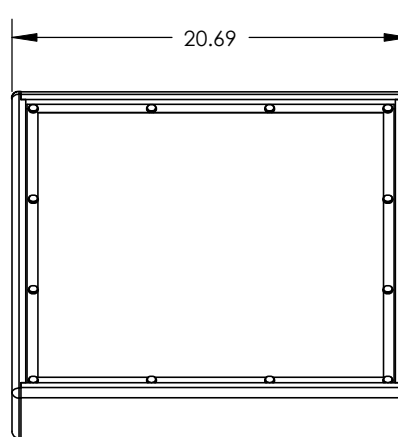
Rt Side



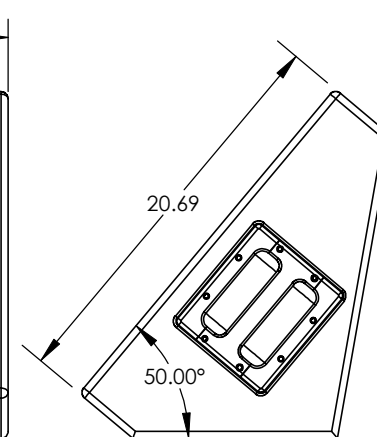
Dimetric View:
50 Degree Position



Rt Side



Front View:
50 Degree Position




Lt Side

PROPRIETARY AND CONFIDENTIAL
THE INFORMATION CONTAINED IN THIS DRAWING IS THE SOLE PROPERTY OF QUALITY MUSICAL SYSTEMS, INC. ANY REPRODUCTION IN PART OR AS A WHOLE WITHOUT THE WRITTEN PERMISSION OF QUALITY MUSICAL SYSTEMS, INC. IS PROHIBITED.

MATERIAL
FINISH
DO NOT SCALE DRAWING

UNLESS OTHERWISE SPECIFIED:
DIMENSIONS ARE IN INCHES
TOLERANCES:
FRACTIONAL ±
ANGULAR: MACH ± BEND ±
TWO PLACE DECIMAL ±
THREE PLACE DECIMAL ±

DRAWN	TBW	2/19/2008
ENG APPR.		
MFG APPR.		
Q.A.		

Danley Sound Labs		
TITLE: SH-100M		
SIZE A		REV 1
SCALE: 1:10	Last Save Date: Tuesday, February 19, 2008 8:00:46 AM	