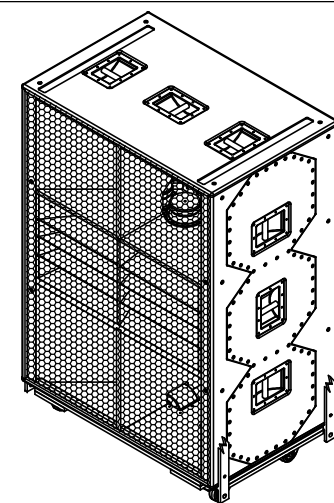
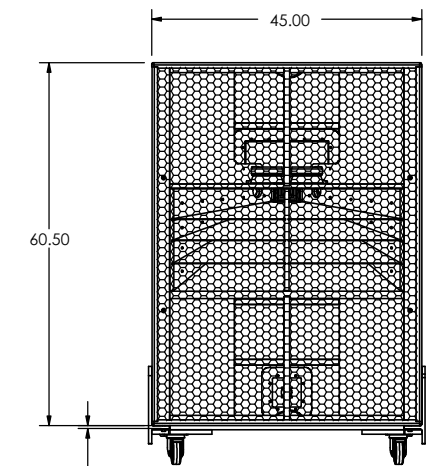


• = Attachment Point Symbol  
 ⊙ = Center of Gravity Symbol

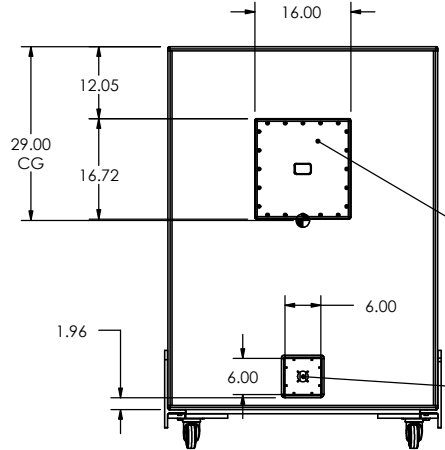
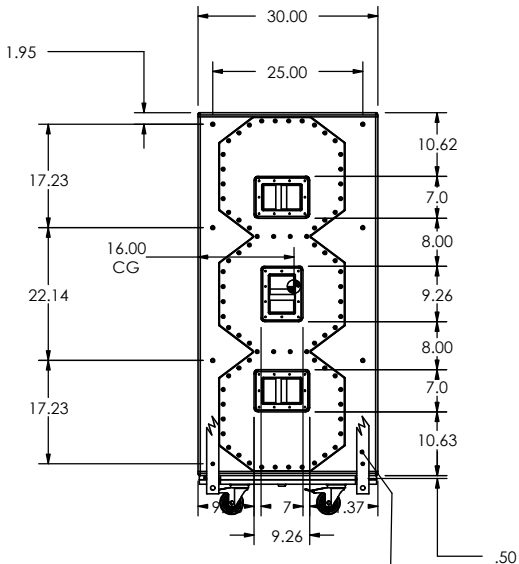
Attachment Points: SEE NOTE  
 (4) on Top  
 (4) on Bottom  
 (8) on Rt Side  
 (8) on Left Side



Isometric View



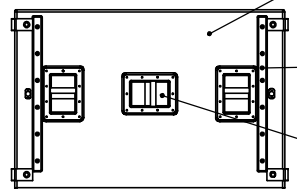
Front View



Back View

Rear Access Panel

I/O Panel



Bottom View

Caster Board:  
Hidden for Clarity

Skid Runners:  
2 Places

Handle:  
12 Places

DLS Supplied Bars  
Must Be Used  
When Suspended:  
SEE NOTE

Note: Attachment Points are for securing Cabinet to External Rigging Frame. Rigging Frame shall support Cabinet such that Attachment points are not under load. Rigging Frame should carry the full load of this cabinet. Attachment points are for securing cabinet to the inside of External Rigging Frame. Attachment points are not to be used for suspension of this cabinet.

<b>PROPRIETARY AND CONFIDENTIAL</b> THE INFORMATION CONTAINED IN THIS DRAWING IS THE SOLE PROPERTY OF QUALITY MUSICAL SYSTEMS, INC. ANY REPRODUCTION IN PART OR AS A WHOLE WITHOUT THE WRITTEN PERMISSION OF QUALITY MUSICAL SYSTEMS, INC. IS PROHIBITED.	MATERIAL	UNLESS OTHERWISE SPECIFIED: DIMENSIONS ARE IN INCHES TOLERANCES: FRACTIONAL ± ANGULAR: MACH ± BEND ± TWO PLACE DECIMAL ± THREE PLACE DECIMAL ±	DRAWN	TBW	6/8/2011	Danley Sound Labs		
	FINISH		ENG APPR.			TITLE: JH90		
	DO NOT SCALE DRAWING		MFG APPR.			SIZE <b>A</b> Plan View	REV 3.1	
			Q.A.			Last Save Date: Wednesday, June 08, 2011 10:27:44 AM		