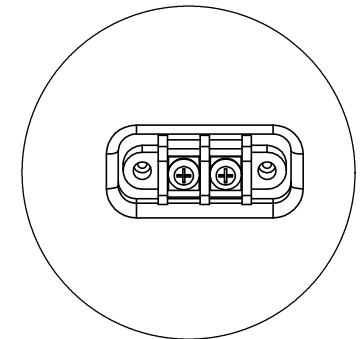
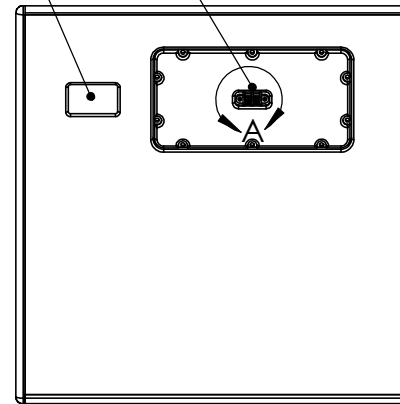
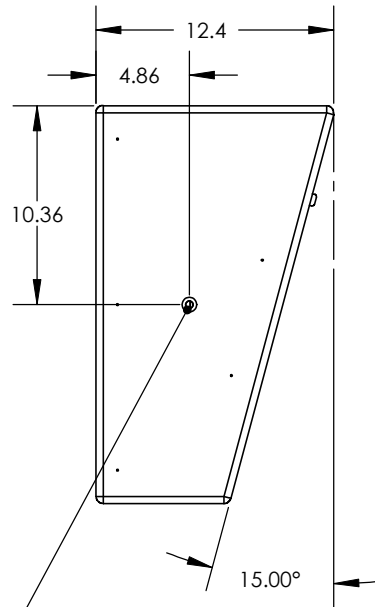
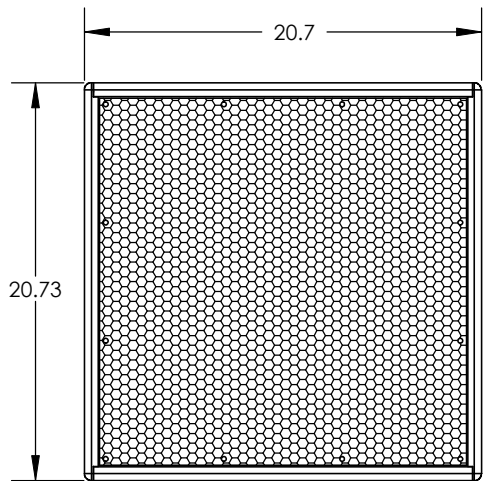


Terminal Block

Info Label



DETAIL A
SCALE 1 : 2


U Bracket Attachment Point
2 Places

PROPRIETARY AND CONFIDENTIAL
THE INFORMATION CONTAINED IN THIS DRAWING IS THE SOLE PROPERTY OF QUALITY MUSICAL SYSTEMS, INC. ANY REPRODUCTION IN PART OR AS A WHOLE WITHOUT THE WRITTEN PERMISSION OF QUALITY MUSICAL SYSTEMS, INC. IS PROHIBITED.

MATERIAL
FINISH
DO NOT SCALE DRAWING

UNLESS OTHERWISE SPECIFIED:
DIMENSIONS ARE IN INCHES
TOLERANCES:
FRACTIONAL ±
ANGULAR: MACH ± BEND ±
TWO PLACE DECIMAL ±
THREE PLACE DECIMAL ±

DRAWN	TBW	10/11/2010
ENG APPR.		
MFG APPR.		
Q.A.		

Danley Sound Labs		
TITLE: SH 100 Cimena		
SIZE A	Plan View Drawing	REV x2
SCALE: 1:8	Last Save Date: Monday, October 11, 2010 9:42:17 AM	

5

4

3

2

1