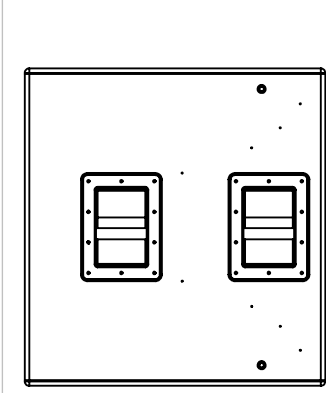
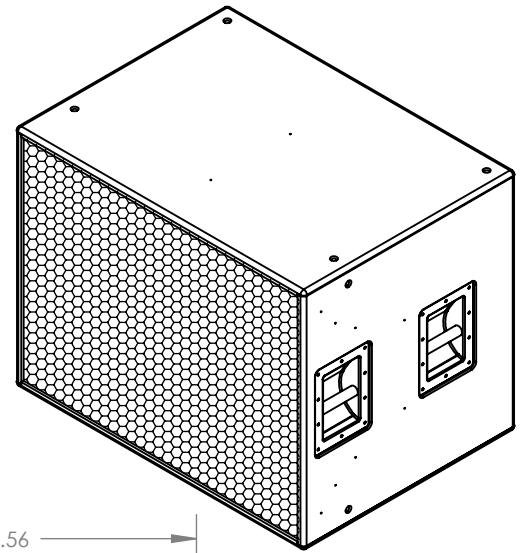
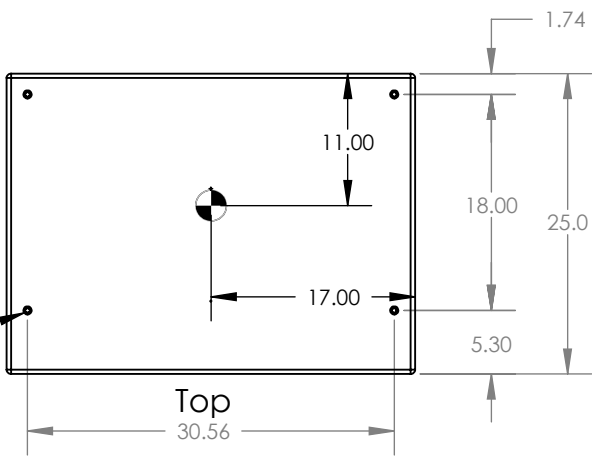
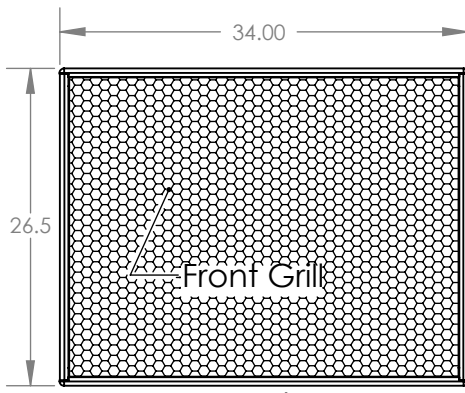


⊙ = Suspension Point
 ⊗ = Center of Gravity

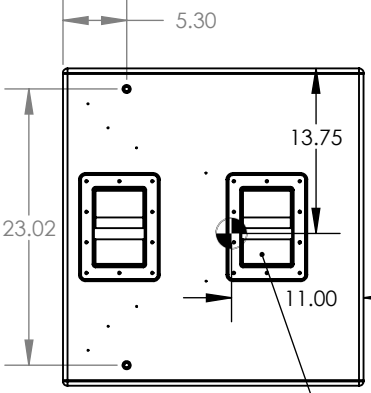
Suspension Points:
 (4) on Top
 (4) on Bottom
 (2) on Lt Side
 (2) on Rt Side
 (4) on Back



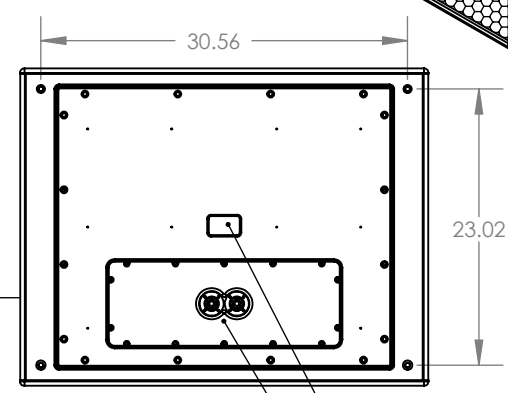
Lt Side



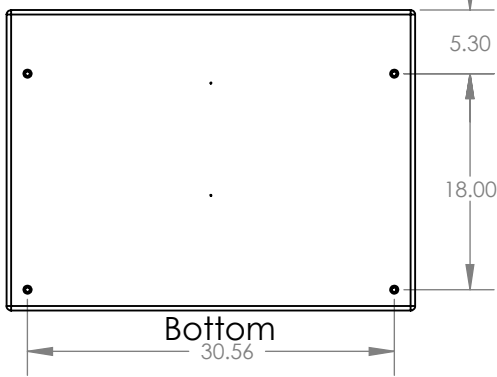
Front



Rt Side



Back



Bottom

Info Label
 Power Amp or IO Panel w/NL4 2x
 Steel Handle 4 Places

PROPRIETARY AND CONFIDENTIAL
 THE INFORMATION CONTAINED IN THIS DRAWING IS THE SOLE PROPERTY OF QUALITY MUSICAL SYSTEMS, INC. ANY REPRODUCTION IN PART OR AS A WHOLE WITHOUT THE WRITTEN PERMISSION OF QUALITY MUSICAL SYSTEMS, INC. IS PROHIBITED.

MATERIAL
 FINISH
 DO NOT SCALE DRAWING

UNLESS OTHERWISE SPECIFIED:
 DIMENSIONS ARE IN INCHES
 TOLERANCES:
 FRACTIONAL ±
 ANGULAR: MACH ± BEND ±
 TWO PLACE DECIMAL ±
 THREE PLACE DECIMAL ±

DRAWN TBW 2/2/2011
 ENG APPR.
 MFG APPR.
 Q.A.

Danley Sound Labs
 TITLE: SH64I (Install)
 SIZE **A** Plan View Drawing
 SCALE: 1:16



REV 1

Last Save Date: Wednesday, February 02, 2011 11:38:55 AM