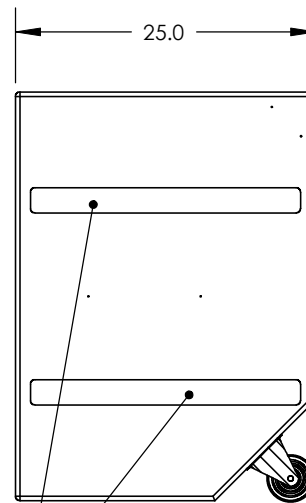
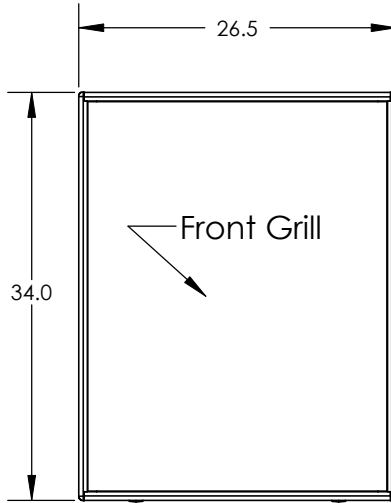
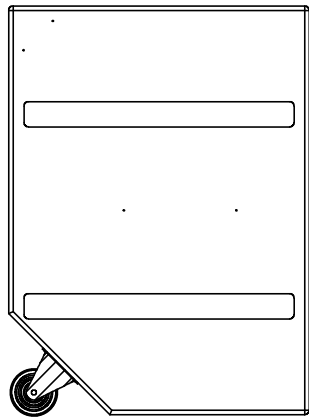
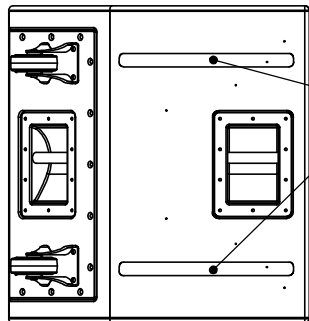
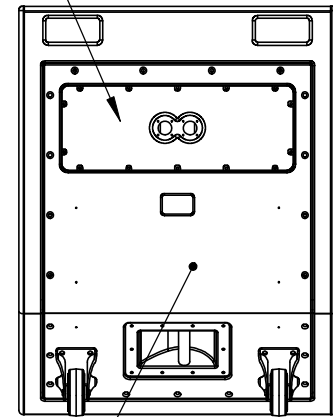


Tilt Back Handles x 2

Lifting Handles x 4



Rear I/O Panel  
NL4 x 2  
or Power Amp



Interlocking Runner for Stacking

Bottom Skid Runners

4" Caster x 2

Access Hatch Panel

**PROPRIETARY AND CONFIDENTIAL**  
THE INFORMATION CONTAINED IN THIS DRAWING IS THE SOLE PROPERTY OF QUALITY MUSICAL SYSTEMS, INC. ANY REPRODUCTION IN PART OR AS A WHOLE WITHOUT THE WRITTEN PERMISSION OF QUALITY MUSICAL SYSTEMS, INC. IS PROHIBITED.

MATERIAL  
FINISH  
DO NOT SCALE DRAWING

UNLESS OTHERWISE SPECIFIED:  
DIMENSIONS ARE IN INCHES  
TOLERANCES:  
FRACTIONAL ±  
ANGULAR: MACH ± BEND ±  
TWO PLACE DECIMAL ±  
THREE PLACE DECIMAL ±

DRAWN	TBW	5/29/2008
ENG APPR.		
MFG APPR.		
Q.A.		

Danley Sound Labs

TITLE: SH-64T

SIZE **A** Plan Views

SCALE: 1:16

Last Save Date: Thursday, May 29, 2008 9:59:45 AM



REV 1

5

↑

4

3

2

1