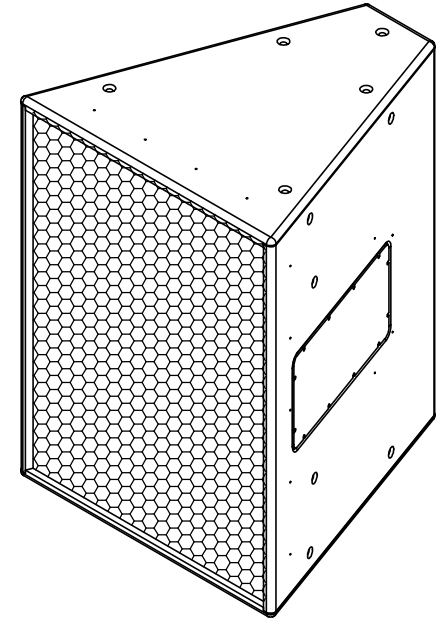
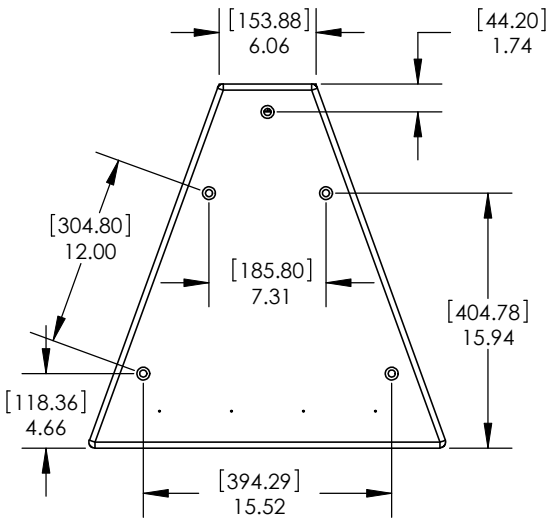


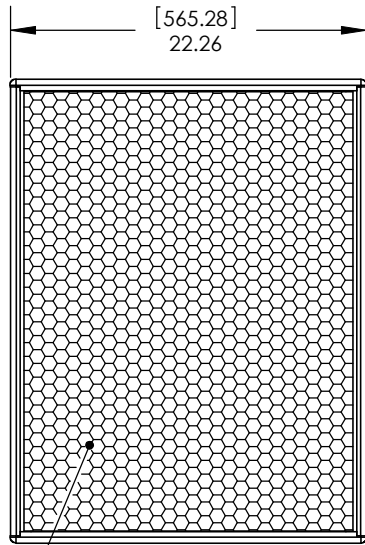
⊙ = Suspension Point Symbol  
 ● = Center of Gravity Symbol  
 (Location to be determined)



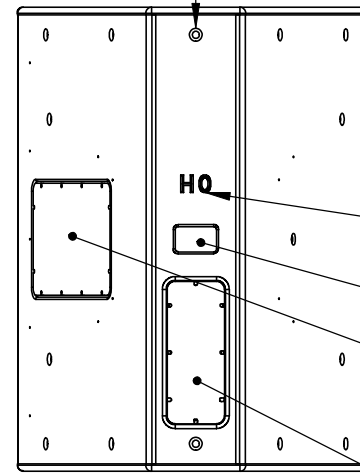
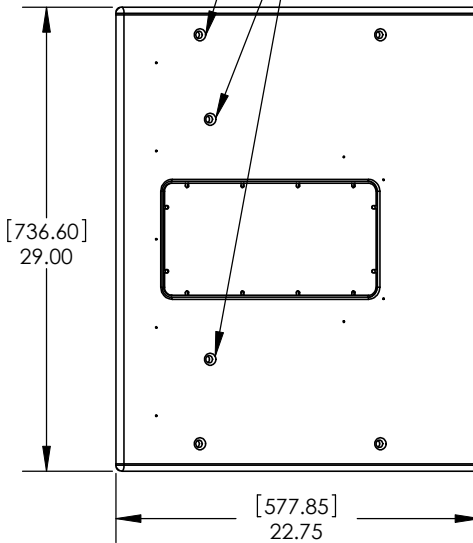
Isometric View

3/8" - 16  
 Fly Points  
 20 Places

Assembly Screws  
 Not Fly Points



Front  
 Front Grill



Back

HO Branding: High Output  
 Info Label  
 Power Amp  
 (or)  
 Cover Plate  
 Amp I/O  
 (or)  
 NL4 2 Places

**PROPRIETARY AND CONFIDENTIAL**  
 THE INFORMATION CONTAINED IN THIS DRAWING IS THE SOLE PROPERTY OF QUALITY MUSICAL SYSTEMS, INC. ANY REPRODUCTION IN PART OR AS A WHOLE WITHOUT THE WRITTEN PERMISSION OF QUALITY MUSICAL SYSTEMS, INC. IS PROHIBITED.

MATERIAL Aluminum  
 FINISH  
 DO NOT SCALE DRAWING

UNLESS OTHERWISE SPECIFIED:  
 DIMENSIONS ARE IN INCHES  
 TOLERANCES:  
 FRACTIONAL ±  
 ANGULAR: MACH ± BEND ±  
 TWO PLACE DECIMAL ±  
 THREE PLACE DECIMAL ±

DRAWN	TBW	4/15/2010
ENG APPR.		
MFG APPR.		
Q.A.		

Danley Sound Labs		
TITLE: SH46IHO		
SIZE A	Plan View	REV B
SCALE: 1:12	Last Save Date: Thursday, April 15, 2010 10:04:32 AM	