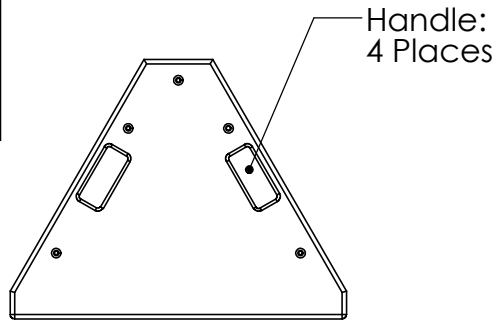
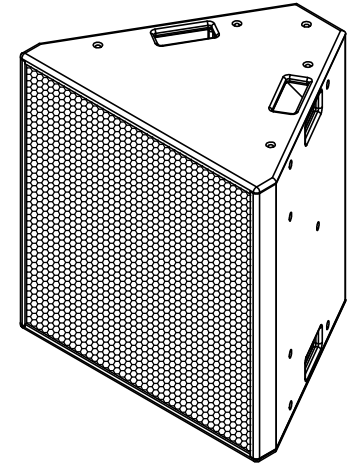


○ = Suspension Point Symbol

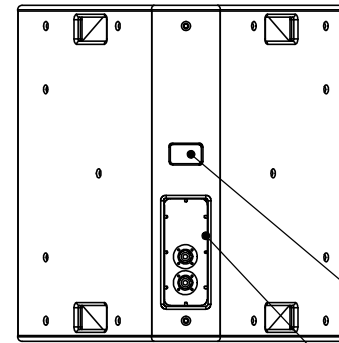
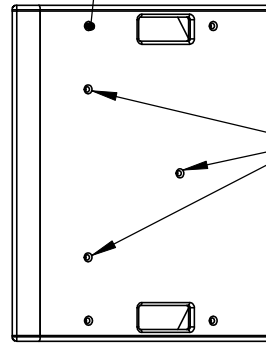
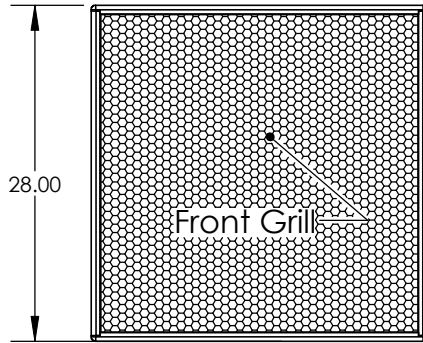
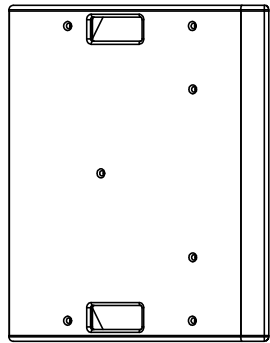
● = Center of Gravity Symbol



Suspension Points
3/8X16" Thread:
(5) on Top
(5) on Bottom
(4) on Lt Side
(4) on Rt Side
(2) on Back

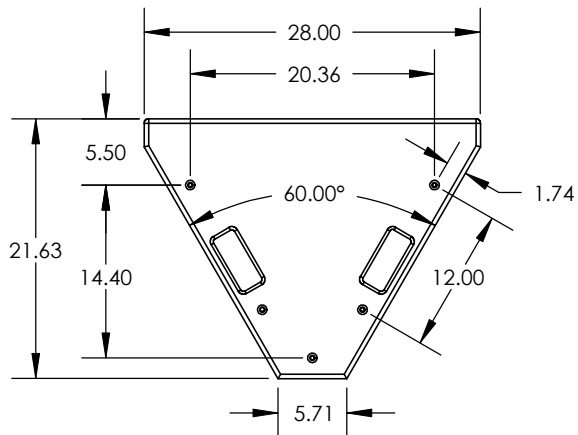


Assembly Bolts
6 Places



Info Label

I/O Panel
NL4 2 Places



PROPRIETARY AND CONFIDENTIAL
THE INFORMATION CONTAINED IN THIS DRAWING IS THE SOLE PROPERTY OF QUALITY MUSICAL SYSTEMS, INC. ANY REPRODUCTION IN PART OR AS A WHOLE WITHOUT THE WRITTEN PERMISSION OF QUALITY MUSICAL SYSTEMS, INC. IS PROHIBITED.

MATERIAL
FINISH
DO NOT SCALE DRAWING

UNLESS OTHERWISE SPECIFIED:
DIMENSIONS ARE IN INCHES
TOLERANCES:
FRACTIONAL ±
ANGULAR: MACH ± BEND ±
TWO PLACE DECIMAL ±
THREE PLACE DECIMAL ±

DRAWN	TBW	5/29/2009
ENG APPR.		
MFG APPR.		
Q.A.		

Danley Sound Labs

TITLE: SH60T (Touring)



SIZE **A** Plan View

REV 1

SCALE: 1:12

Last Save Date: Friday, May 29, 2009 9:51:49 AM