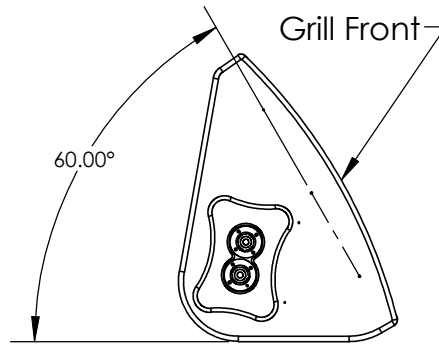
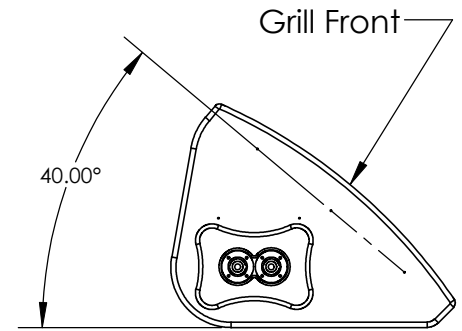


Top View

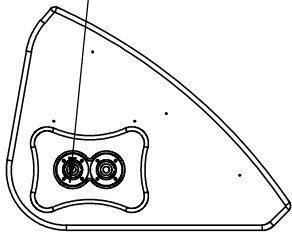


Monitor Shown in 60 Degree Position

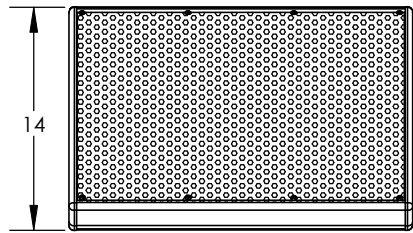


Monitor Shown in 40 Degree Position

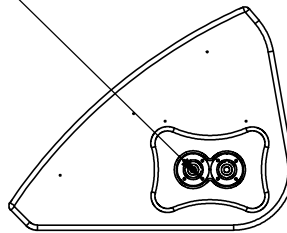
NL4 Connectors:
4 Places



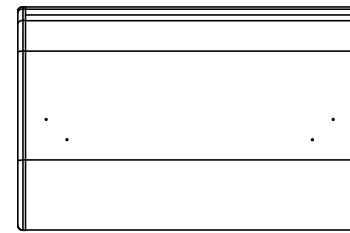
Left View



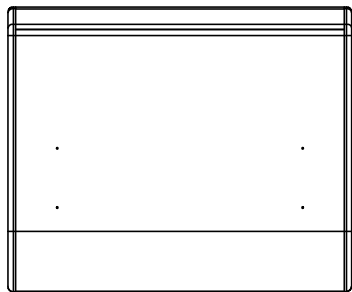
Front View



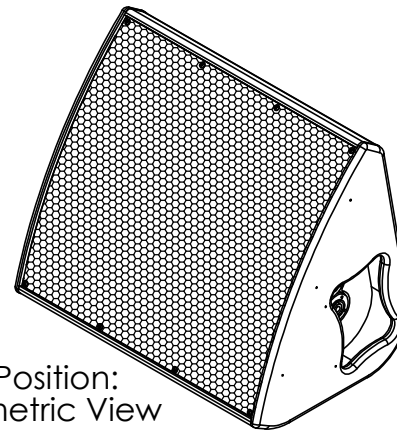
Right View



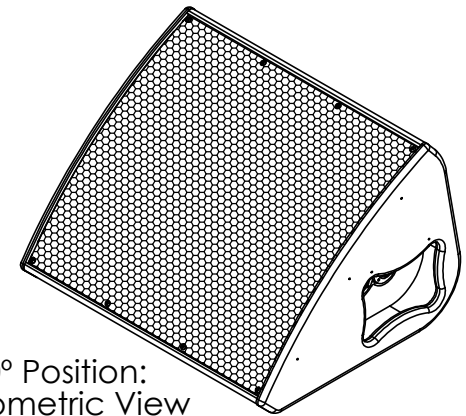
Back View



Bottom View



60° Position:
Isometric View



40° Position:
Isometric View

PROPRIETARY AND CONFIDENTIAL
THE INFORMATION CONTAINED IN THIS DRAWING IS THE SOLE PROPERTY OF QUALITY MUSICAL SYSTEMS, INC. ANY REPRODUCTION IN PART OR AS A WHOLE WITHOUT THE WRITTEN PERMISSION OF QUALITY MUSICAL SYSTEMS, INC. IS PROHIBITED.

MATERIAL
FINISH
DO NOT SCALE DRAWING

UNLESS OTHERWISE SPECIFIED:
DIMENSIONS ARE IN INCHES
TOLERANCES:
FRACTIONAL ±
ANGULAR: MACH ± BEND ±
TWO PLACE DECIMAL ±
THREE PLACE DECIMAL ±

DRAWN	TBW	9/25/2008
ENG APPR.		
MFG APPR.		
Q.A.		

Danley Sound Labs		
TITLE: SHLPM		
SIZE A	Plan View Drawing	REV A
Last Save Date: Thursday, September 25, 2008 9:28:10 AM		