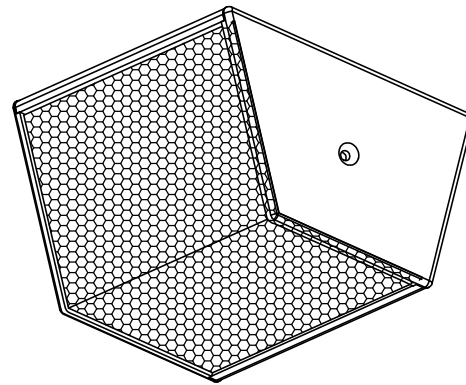
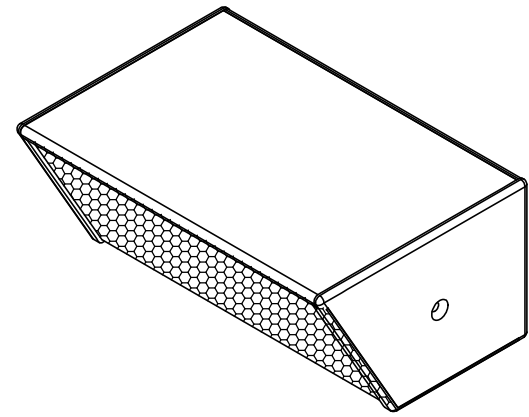


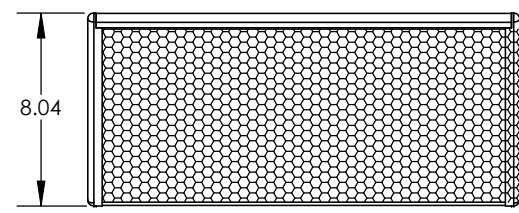
Top View



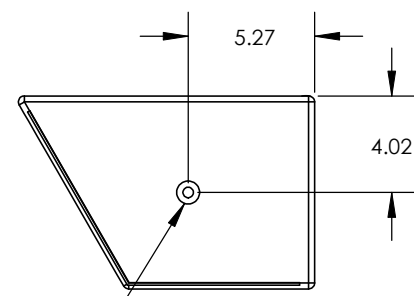
Additional View to Show Grill in Full



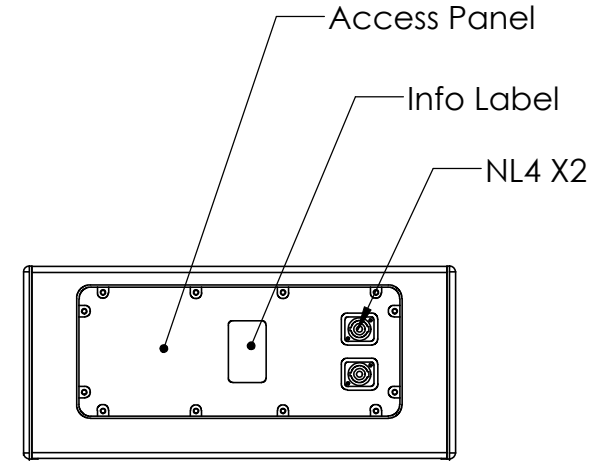
Isometric View



Fron View




Right View



Back View

Fly Point X2
3/8"X16 Thread

PROPRIETARY AND CONFIDENTIAL THE INFORMATION CONTAINED IN THIS DRAWING IS THE SOLE PROPERTY OF QUALITY MUSICAL SYSTEMS, INC. ANY REPRODUCTION IN PART OR AS A WHOLE WITHOUT THE WRITTEN PERMISSION OF QUALITY MUSICAL SYSTEMS, INC. IS PROHIBITED.	MATERIAL	UNLESS OTHERWISE SPECIFIED: DIMENSIONS ARE IN INCHES TOLERANCES: FRACTIONAL ± ANGULAR: MACH ± BEND ± TWO PLACE DECIMAL ± THREE PLACE DECIMAL ±	DRAWN	TBW	9/24/2009	Danley Sound Labs TITLE: SHMICRO			
	FINISH		ENG APPR.					SIZE A	Plan View Drawing
	DO NOT SCALE DRAWING		MFG APPR.				Last Save Date: Thursday, September 24, 2009 11:15:21 AM		
			Q.A.						

5

4

3

2

1