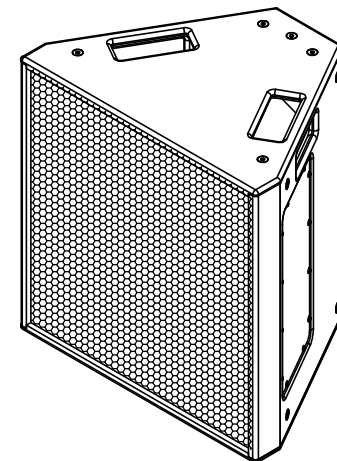
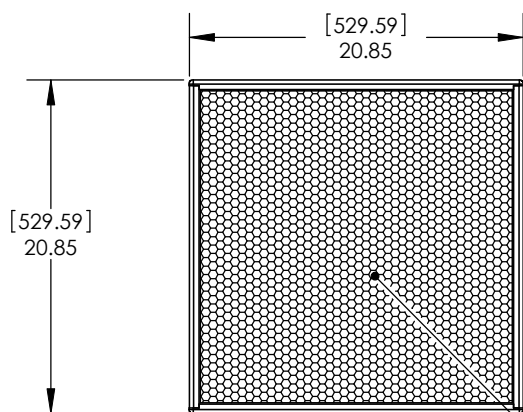


○ = Suspension Point Symbol
 ● = Center of Gravity Symbol
 (Location To-Be-Determined)

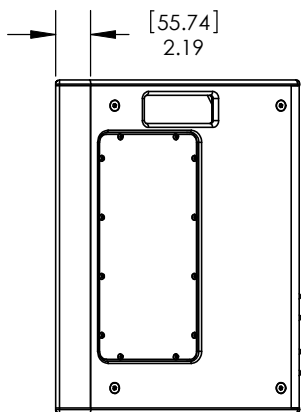
Suspension Points:
 (5) on Top
 (5) on Bottom
 (4) on Left Side
 (4) on Right Side
 (2) on Back



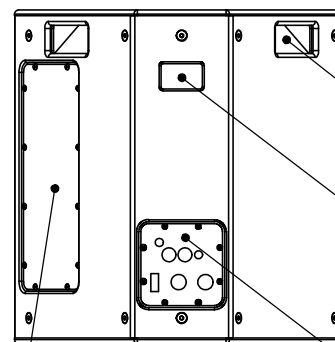
Isometric View



Front View



Right View

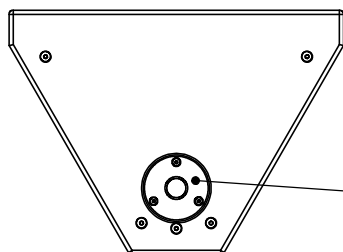


Back View

Handle:
2 Places

Info Label

Amp I/O
(or)
NL4 2 Places



Bottom View

Front Grill

Power Amp
(or)
Cover Plate

Pole Cup

PROPRIETARY AND CONFIDENTIAL
 THE INFORMATION CONTAINED IN THIS DRAWING IS THE SOLE PROPERTY OF QUALITY MUSICAL SYSTEMS, INC. ANY REPRODUCTION IN PART OR AS A WHOLE WITHOUT THE WRITTEN PERMISSION OF QUALITY MUSICAL SYSTEMS, INC. IS PROHIBITED.

MATERIAL
 FINISH
 DO NOT SCALE DRAWING

UNLESS OTHERWISE SPECIFIED:
 DIMENSIONS ARE IN INCHES
 TOLERANCES:
 FRACTIONAL ±
 ANGULAR: MACH ± BEND ±
 TWO PLACE DECIMAL ±
 THREE PLACE DECIMAL ±

DRAWN	TBW	4/26/2010
ENG APPR.		
MFG APPR.		
Q.A.		

Danley Sound Labs		
TITLE: SM60MT and SM60FT		
SIZE A	Plan View Drawing	REV 1
SCALE: 1:12	Last Save Date: Monday, April 26, 2010 9:58:08 AM	