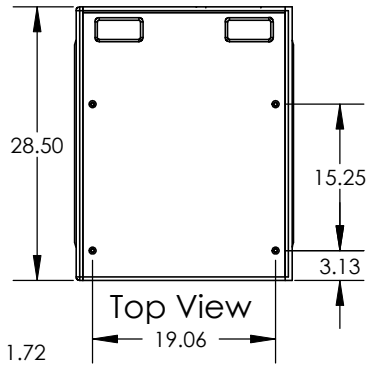


⊙ = Suspension Point Symbol

● = Center of Gravity Symbol

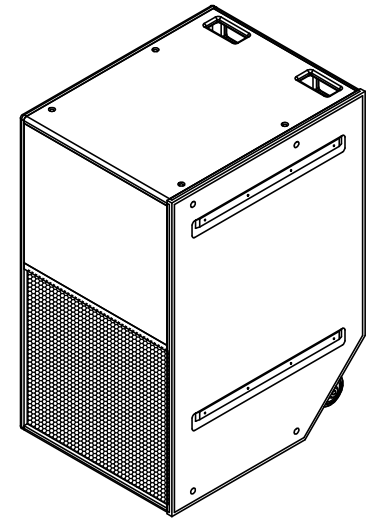
Suspension Point
3/8x16 Thread:
(4) on Top
(4) on Left Side
(4) on Right Side
(4) on Bottom



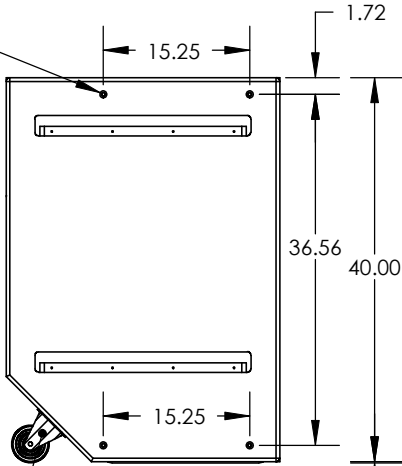
Info Label

Handles for Tilt
Back Transport:
2 Places

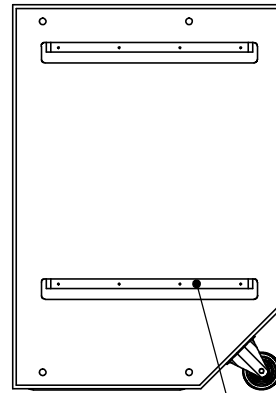
I/O Panel:
NL4 2 Places
(or)
Power Amplifier



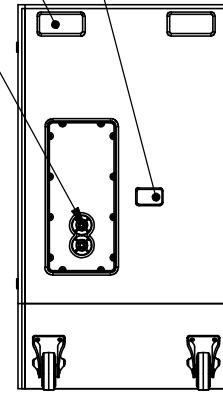
Isometric View



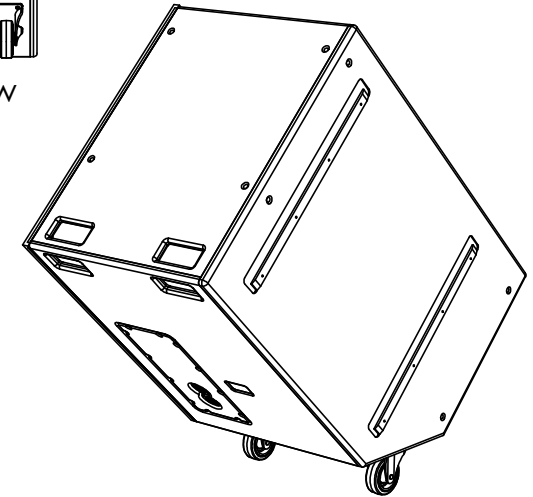
Left View



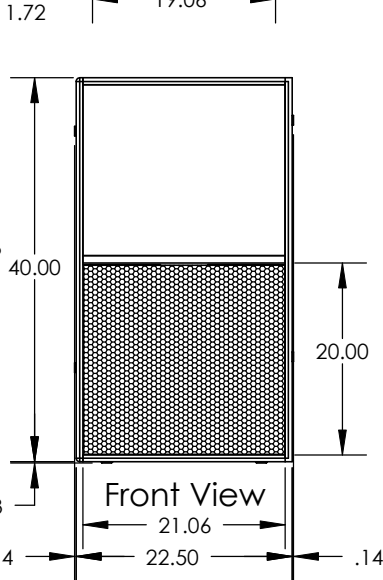
Right View



Back View

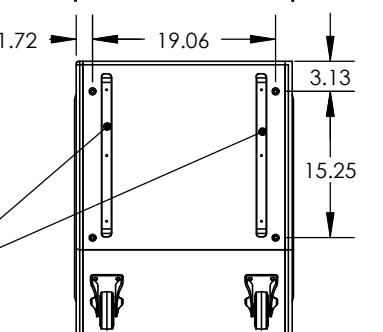


Tilt and Go View



Front View

Interlocking
Runners for
Stacking:
4 Places



Bottom View

Casters for Tilt
Back Transport:
2 Places

Skids for
Transport:
Two Places

PROPRIETARY AND CONFIDENTIAL
THE INFORMATION CONTAINED IN THIS
DRAWING IS THE SOLE PROPERTY OF
QUALITY MUSICAL SYSTEMS, INC. ANY
REPRODUCTION IN PART OR AS A WHOLE
WITHOUT THE WRITTEN PERMISSION OF
QUALITY MUSICAL SYSTEMS, INC. IS
PROHIBITED.

MATERIAL
FINISH
DO NOT SCALE DRAWING

UNLESS OTHERWISE SPECIFIED:
DIMENSIONS ARE IN INCHES
TOLERANCES:
FRACTIONAL ±
ANGULAR: MACH ± BEND ±
TWO PLACE DECIMAL ±
THREE PLACE DECIMAL ±

DRAWN TBW 8/28/2009
ENG APPR.
MFG APPR.
Q.A.

Danley Sound Labs

TITLE: TH115

SIZE A Plan View Drawing



REV B

Last Save Date: Friday, September 26, 2008 11:19:34 AM