

- = Suspension Point Symbol
- ⊙ = Center of Gravity Symbol (To Be Determined)

REV.	DESCRIPTION	DATE
1	Woofer BCD 14.559"	11/06/2006
A	Woofer BCD 14.616"	07/12/2007
B	Woofer BCD 14.559"	02/22/2008
C	Add Suspension Points	10/08/2009

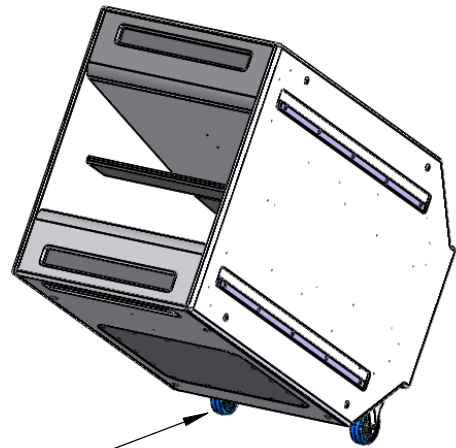
Suspension Points:
 (4) on Top
 (4) on Left Side
 (4) on Right Side
 (4) on Bottom

Access Panel
 2 Plcs

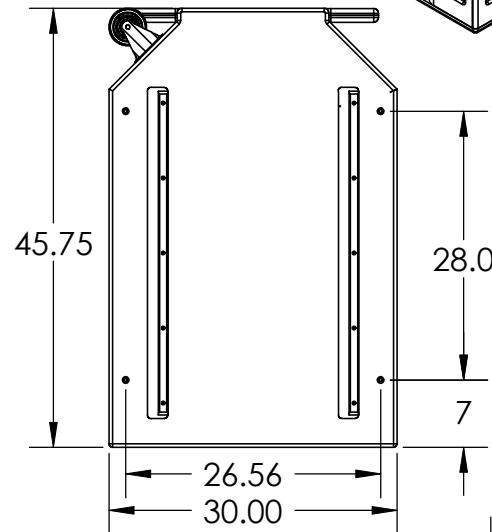
I/O Panel

Handles
 6 Plcs

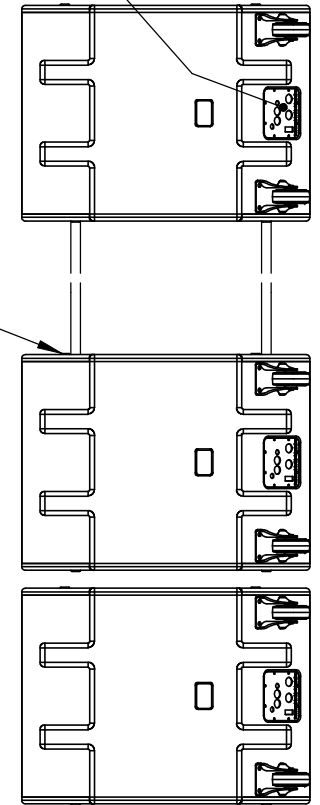
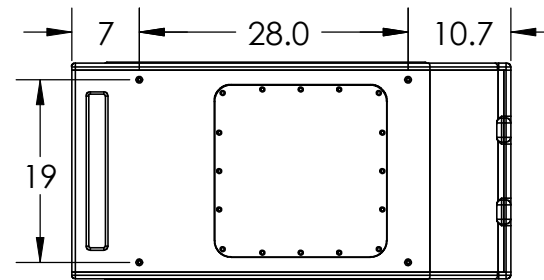
Interlocking
 Runners for
 Stacking



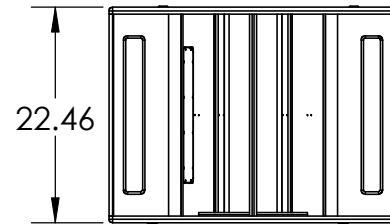
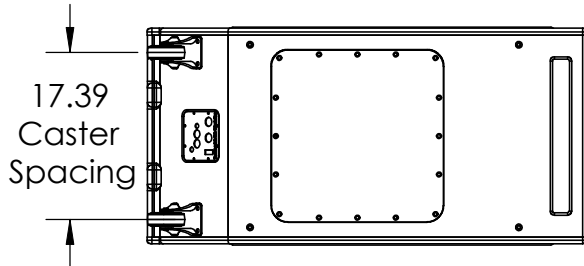
Tilt and Go View on Casters



Front View



Back View



PROPRIETARY AND CONFIDENTIAL
 THE INFORMATION CONTAINED IN THIS DRAWING IS THE SOLE PROPERTY OF QUALITY MUSICAL SYSTEMS, INC. ANY REPRODUCTION IN PART OR AS A WHOLE WITHOUT THE WRITTEN PERMISSION OF QUALITY MUSICAL SYSTEMS, INC. IS PROHIBITED.

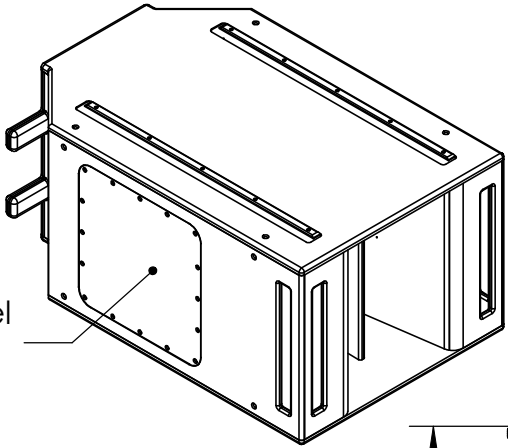
MATERIAL
FINISH
DO NOT SCALE DRAWING

UNLESS OTHERWISE SPECIFIED:
 DIMENSIONS ARE IN INCHES
 TOLERANCES:
 FRACTIONAL ±
 ANGULAR: MACH ± BEND ±
 TWO PLACE DECIMAL ±
 THREE PLACE DECIMAL ±

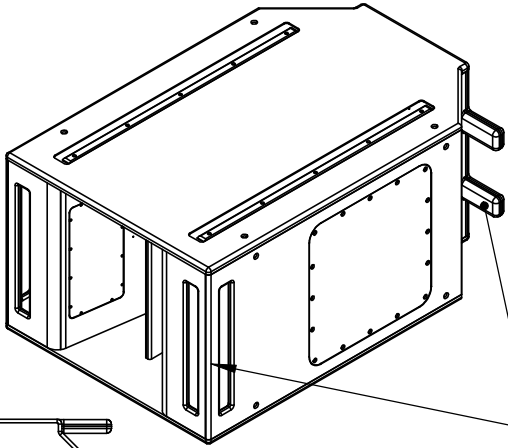
DRAWN	TBW	10/8/2009
ENG APPR.		
MFG APPR.		
Q.A.		

Danley Sound Labs		
TITLE: TH-215		
SIZE A	Plan View	REV C
SCALE: 1:10	Last Save Date: Thursday, October 08, 2009 1:19:21 PM	

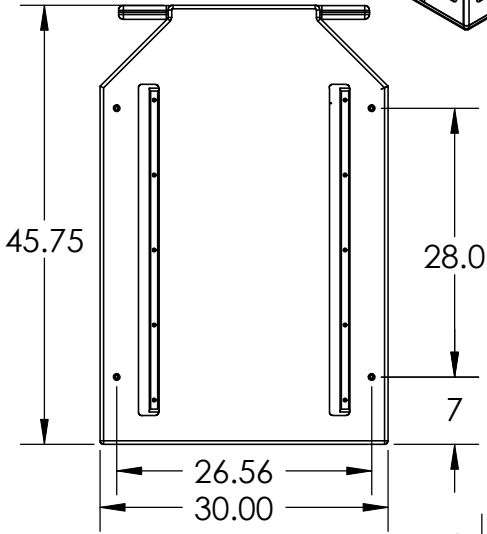
REV.	DESCRIPTION	DATE
1	Woofers BCD 14.559"	11/06/2006
A	Woofers BCD 14.616"	07/12/2007
B	Woofers BCD 14.559"	02/22/2008
C	Add Suspension Points	10/12/2009



Access Panel
2 Plcs

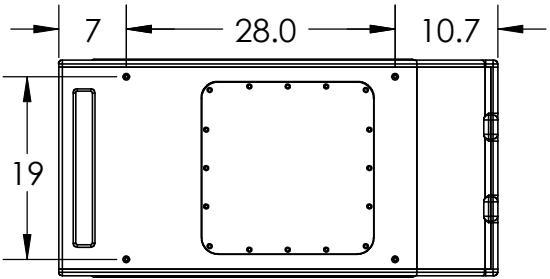
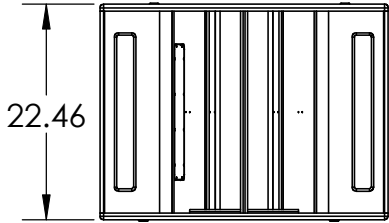
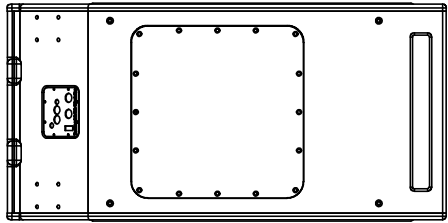
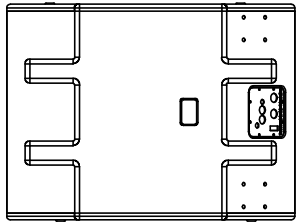
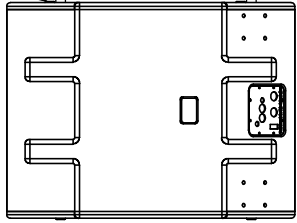
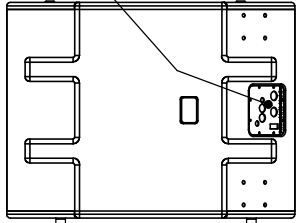


I/O Panel



Handles
6 Plcs

Interlocking
Runners for
Stacking



Front View

Back View

PROPRIETARY AND CONFIDENTIAL
THE INFORMATION CONTAINED IN THIS DRAWING IS THE SOLE PROPERTY OF QUALITY MUSICAL SYSTEMS, INC. ANY REPRODUCTION IN PART OR AS A WHOLE WITHOUT THE WRITTEN PERMISSION OF QUALITY MUSICAL SYSTEMS, INC. IS PROHIBITED.

MATERIAL
FINISH
DO NOT SCALE DRAWING

UNLESS OTHERWISE SPECIFIED:
DIMENSIONS ARE IN INCHES
TOLERANCES:
FRACTIONAL ±
ANGULAR: MACH ± BEND ±
TWO PLACE DECIMAL ±
THREE PLACE DECIMAL ±

DRAWN	TBW	10/8/2009
ENG APPR.		
MFG APPR.		
Q.A.		

Danley Sound Labs
TITLE: TH-215I (Install)
SIZE **A**
SCALE: 1:10

REV **C**
Last Save Date: Thursday, October 08, 2009 1:19:21 PM