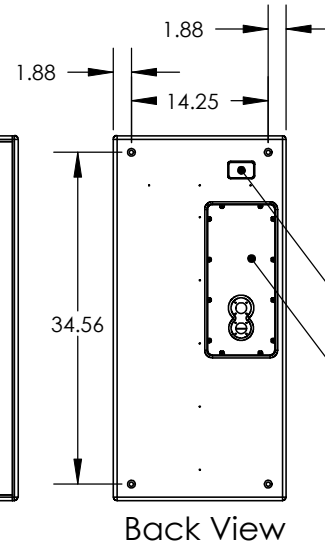
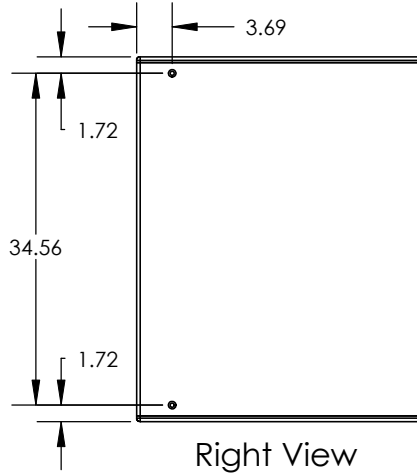
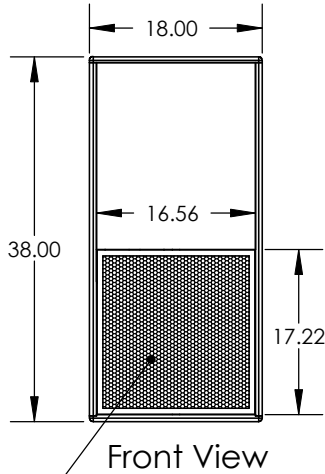
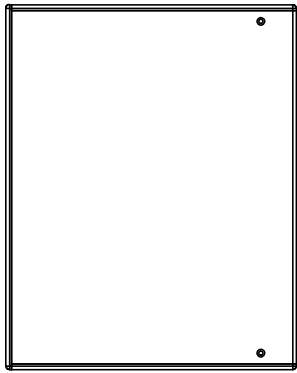
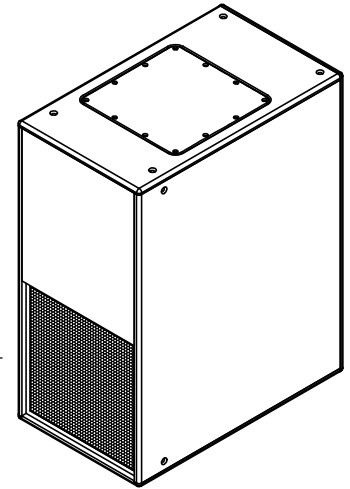
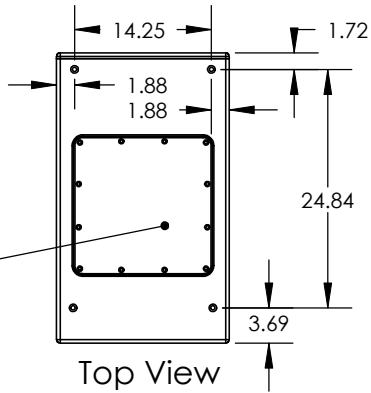


- ⊙ = Suspension Point Symbol
- ⊕ = Center of Gravity Symbol

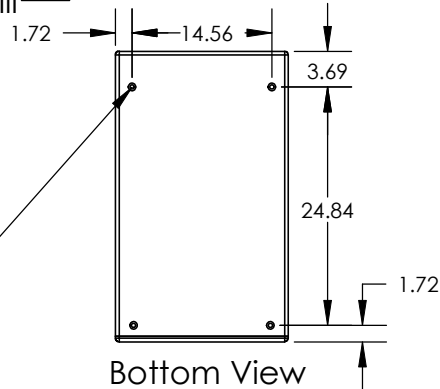
Access Hatch



Info Label

IO Panel:
NL4 2 Places
(or)
Power Amp

Front Grill



Suspension Points
3/8"X16 Thread:
(4) on Top
(4) on Bottom
(4) on Back
(2) on Lt Side
(2) on Rt Side

PROPRIETARY AND CONFIDENTIAL
THE INFORMATION CONTAINED IN THIS DRAWING IS THE SOLE PROPERTY OF QUALITY MUSICAL SYSTEMS, INC. ANY REPRODUCTION IN PART OR AS A WHOLE WITHOUT THE WRITTEN PERMISSION OF QUALITY MUSICAL SYSTEMS, INC. IS PROHIBITED.

MATERIAL
FINISH
DO NOT SCALE DRAWING

UNLESS OTHERWISE SPECIFIED:
DIMENSIONS ARE IN INCHES
TOLERANCES:
FRACTIONAL ±
ANGULAR: MACH ± BEND ±
TWO PLACE DECIMAL ±
THREE PLACE DECIMAL ±

DRAWN	TBW	9/25/2008
ENG APPR.		
MFG APPR.		
Q.A.		

Danley Sound Labs



TITLE: TH112

SIZE **A** Plan View Drawing

REV **A**

Last Save Date: Thursday, September 25, 2008 11:09:39 AM