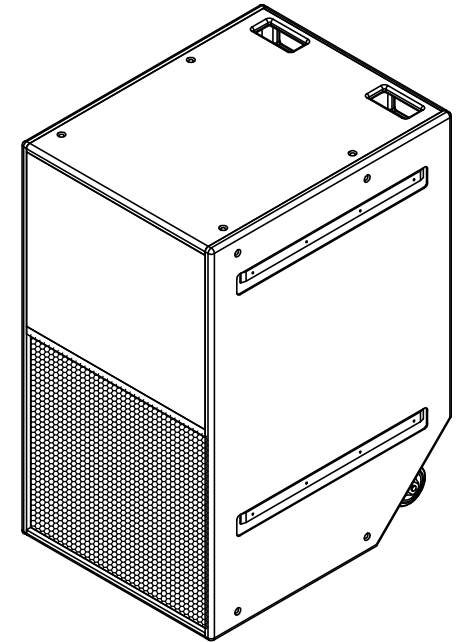
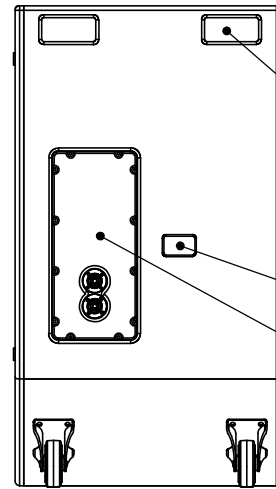
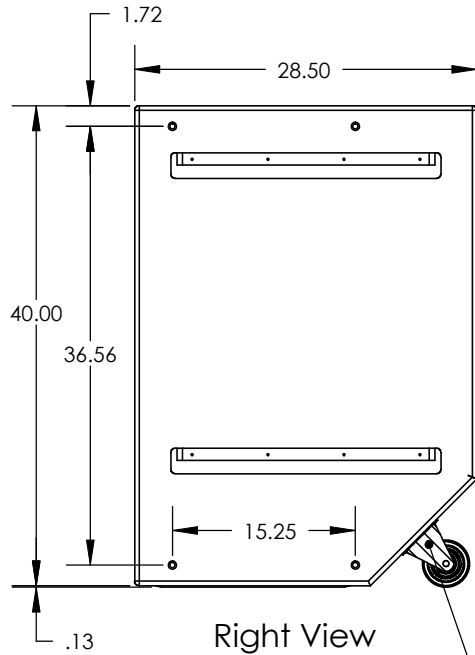
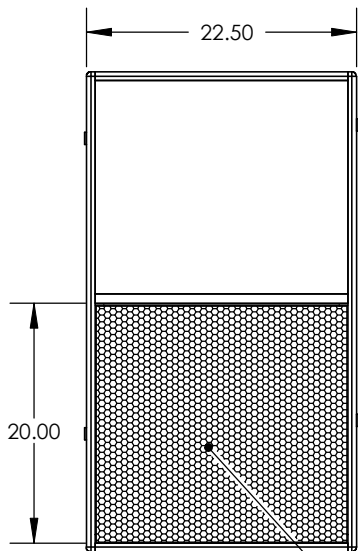
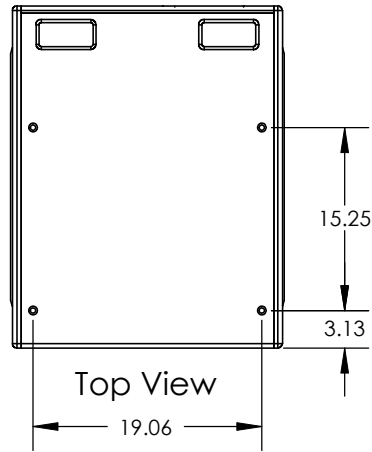


- ⊙ = Suspension Point Symbol
- = Center of Gravity Symbol (To-Be-Determined)

Suspension Point  
 3/8" X 16 Thread:  
 (4) on Top  
 (4) on Left Side  
 (4) on Right Side  
 (4) on Bottom



Isometric View

Handles for Tilt Back Transport  
2 Places

Info Label

I/O Panel:  
NL4 2 Places  
(or)  
Power Amplifier

Front Grill

Casters for Tilt Back Transport:  
2 Places

**PROPRIETARY AND CONFIDENTIAL**  
 THE INFORMATION CONTAINED IN THIS DRAWING IS THE SOLE PROPERTY OF QUALITY MUSICAL SYSTEMS, INC. ANY REPRODUCTION IN PART OR AS A WHOLE WITHOUT THE WRITTEN PERMISSION OF QUALITY MUSICAL SYSTEMS, INC. IS PROHIBITED.

MATERIAL
FINISH
DO NOT SCALE DRAWING

UNLESS OTHERWISE SPECIFIED:  
 DIMENSIONS ARE IN INCHES  
 TOLERANCES:  
 FRACTIONAL ±  
 ANGULAR: MACH ± BEND ±  
 TWO PLACE DECIMAL ±  
 THREE PLACE DECIMAL ±

DRAWN	TBW	4/26/2010
ENG APPR.		
MFG APPR.		
Q.A.		

Danley Sound Labs

TITLE: TH118T (Touring)

SIZE **A** Plan View

SCALE: 1:32

Last Save Date: Monday, April 26, 2010 1:10:41 PM



REV 1