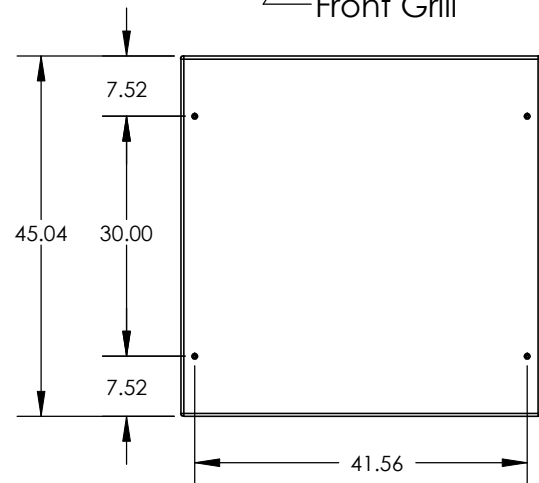


Front Grill

Back

Steel Handle
4 Places

NL4
x2




PROPRIETARY AND CONFIDENTIAL
THE INFORMATION CONTAINED IN THIS DRAWING IS THE SOLE PROPERTY OF QUALITY MUSICAL SYSTEMS, INC. ANY REPRODUCTION IN PART OR AS A WHOLE WITHOUT THE WRITTEN PERMISSION OF QUALITY MUSICAL SYSTEMS, INC. IS PROHIBITED.

MATERIAL
FINISH
DO NOT SCALE DRAWING

UNLESS OTHERWISE SPECIFIED:
DIMENSIONS ARE IN INCHES
TOLERANCES:
FRACTIONAL ±
ANGULAR: MACH ± BEND ±
TWO PLACE DECIMAL ±
THREE PLACE DECIMAL ±

DRAWN	TBW	7/21/2009
ENG APPR.		
MFG APPR.		
Q.A.		

Danley Sound Labs		
TITLE: TH412I (Install)		
SIZE A	Plan View for Approval	REV x1
SCALE: 1:24	Last Save Date: Tuesday, July 21, 2009 12:02:11 PM	

5

4

3

2

1