

PROPRIETARY AND CONFIDENTIAL
 THE INFORMATION CONTAINED IN THIS DRAWING IS THE SOLE PROPERTY OF DANLEY SOUND LABS, INC. ANY REPRODUCTION IN PART OR AS A WHOLE WITHOUT THE WRITTEN PERMISSION OF DSNLEY SOUND LABS, INC. IS PROHIBITED.

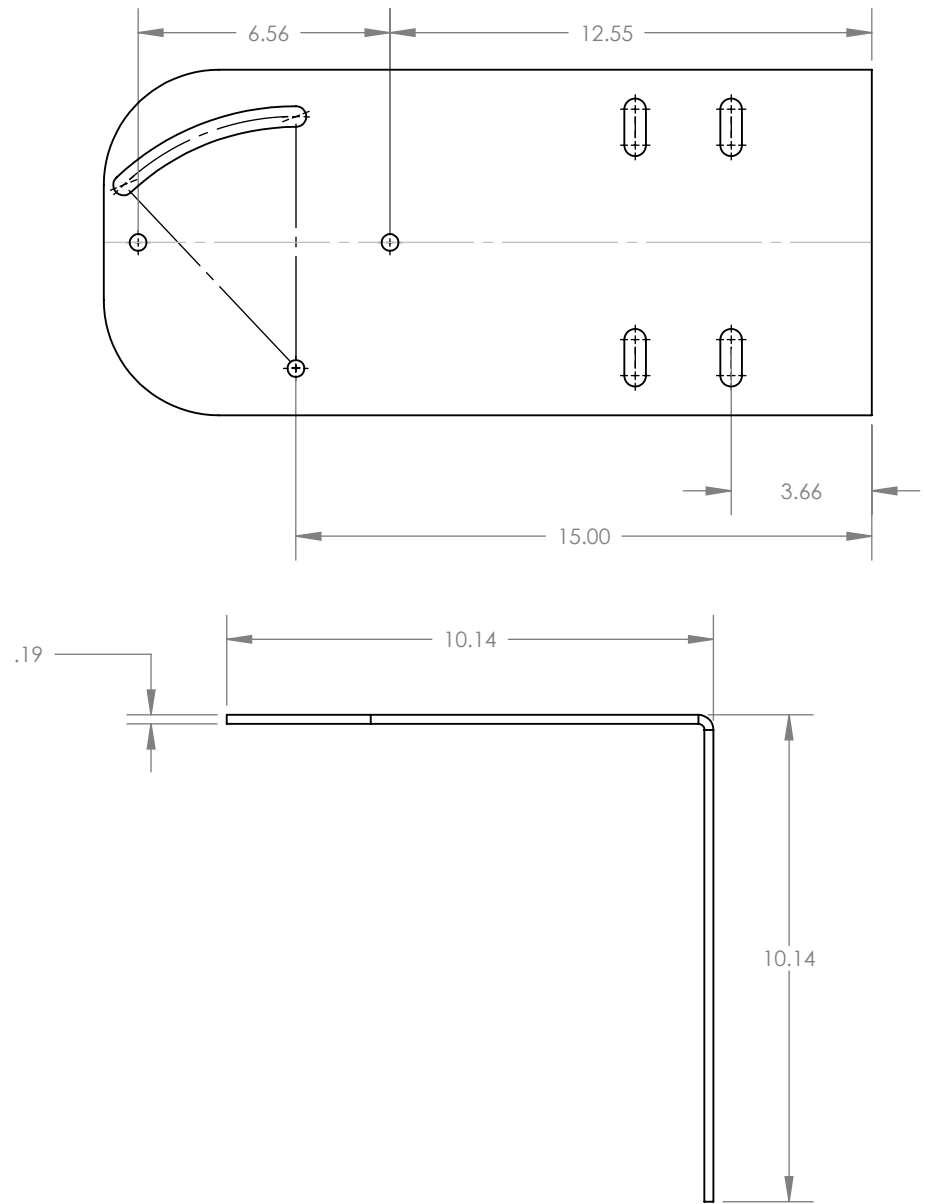
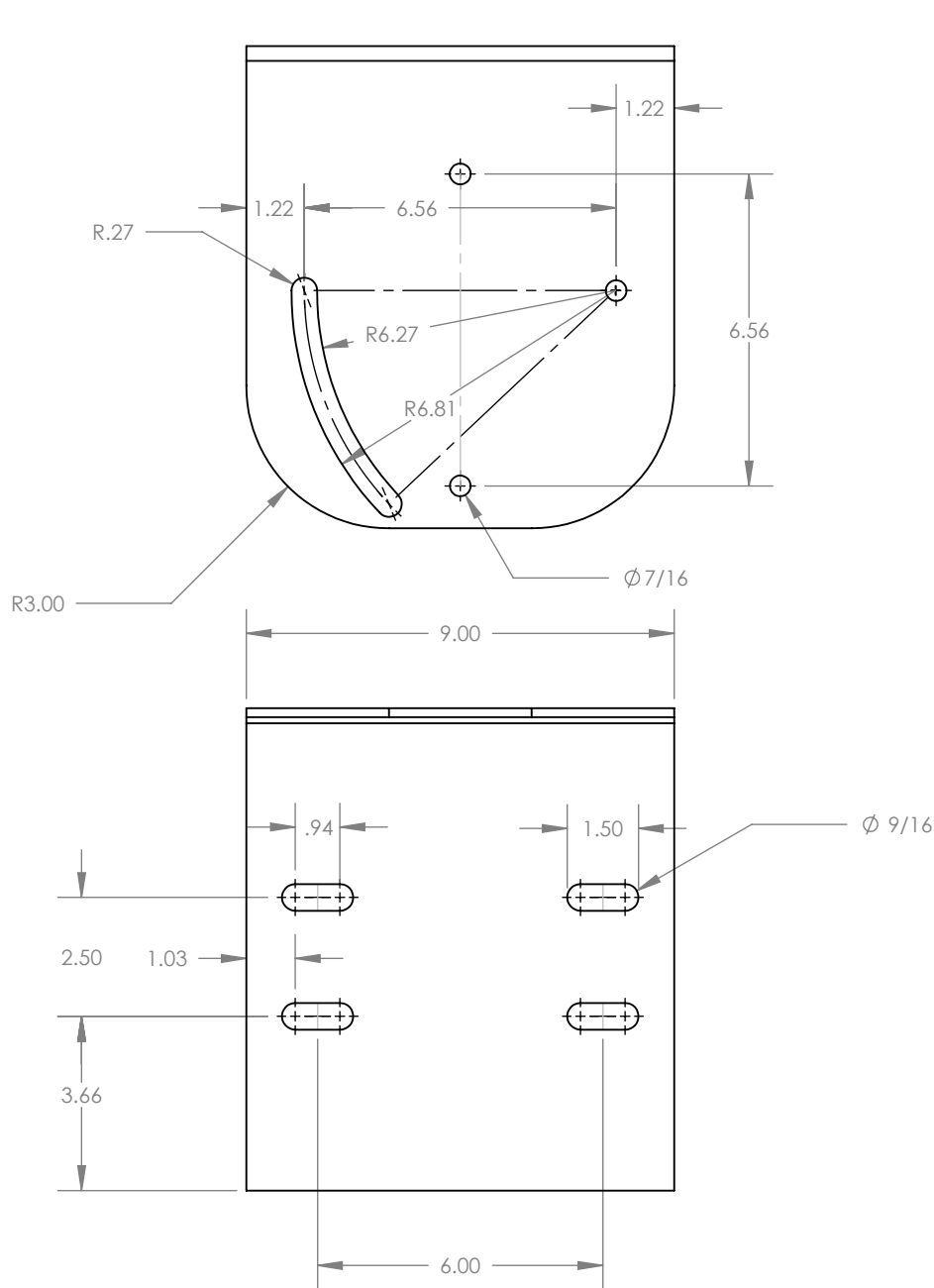
MATERIAL
 FINISH
 DO NOT SCALE DRAWING

UNLESS OTHERWISE SPECIFIED:
 DIMENSIONS ARE IN INCHES
 TOLERANCES:
 FRACTIONAL ±
 ANGULAR: MACH ± BEND ±
 TWO PLACE DECIMAL ±
 THREE PLACE DECIMAL ±

DRAWN CBH 10/22/2014
 ENG APPR.
 MFG APPR.
 Q.A.

Danley Sound Labs
 TITLE: SBH10/20LF L Bracket Vertical Slots
 SIZE **A**
 SCALE: N/A Last Save Date: Wednesday, October 22, 2014 10:01:02 AM
 REV: A





PROPRIETARY AND CONFIDENTIAL
 THE INFORMATION CONTAINED IN THIS DRAWING IS THE SOLE PROPERTY OF DANLEY SOUND LABS, INC. ANY REPRODUCTION IN PART OR AS A WHOLE WITHOUT THE WRITTEN PERMISSION OF DSNLEY SOUND LABS, INC. IS PROHIBITED.

MATERIAL
 FINISH
 DO NOT SCALE DRAWING

UNLESS OTHERWISE SPECIFIED:
 DIMENSIONS ARE IN INCHES
 TOLERANCES:
 FRACTIONAL ±
 ANGULAR: MACH ± BEND ±
 TWO PLACE DECIMAL ±
 THREE PLACE DECIMAL ±

DRAWN	CBH	10/22/2014
ENG APPR.		
MFG APPR.		
Q.A.		

Danley Sound Labs		
TITLE: SBH10/20LF L Bracket Horizontal Slots		
SIZE A	REV: A	
SCALE: N/A	Last Save Date: Wednesday, October 22, 2014 10:01:02 AM	

5

4

3

2

1