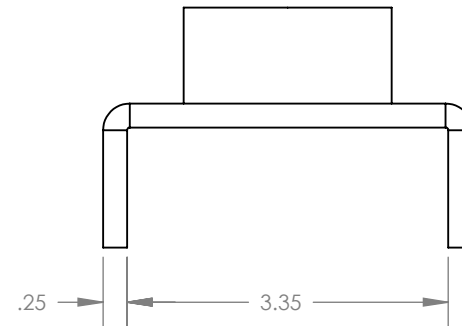
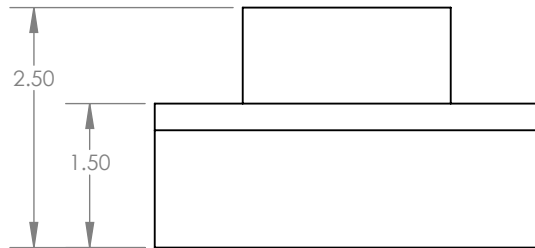
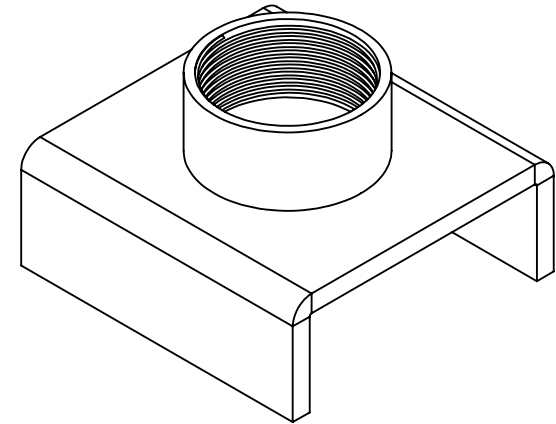


Accepts 1.50" DIA NPT



**PROPRIETARY AND CONFIDENTIAL**  
 THE INFORMATION CONTAINED IN THIS DRAWING IS THE SOLE PROPERTY OF QUALITY MUSICAL SYSTEMS, INC. ANY REPRODUCTION IN PART OR AS A WHOLE WITHOUT THE WRITTEN PERMISSION OF QUALITY MUSICAL SYSTEMS, INC. IS PROHIBITED.

MATERIAL  
 FINISH  
 DO NOT SCALE DRAWING

UNLESS OTHERWISE SPECIFIED:  
 DIMENSIONS ARE IN INCHES  
 TOLERANCES:  
 FRACTIONAL ±  
 ANGULAR: MACH ± BEND ±  
 TWO PLACE DECIMAL ±  
 THREE PLACE DECIMAL ±

DRAWN	CBH	3/12/2013
ENG APPR.		
MFG APPR.		
Q.A.		

Danley Sound Labs



TITLE:

SIZE **A**

REV

SCALE: 1:12

Last Save Date: Tuesday, March 12, 2013 12:50:45 PM

5

4

3

2

1