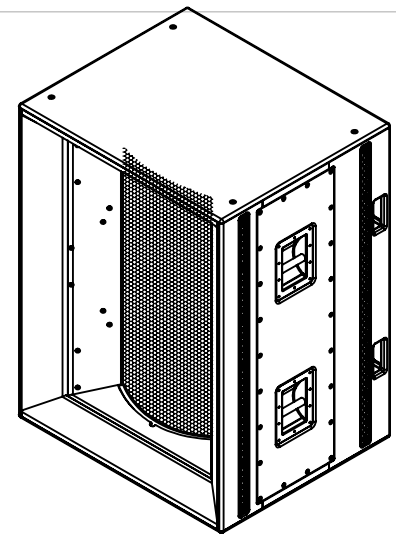
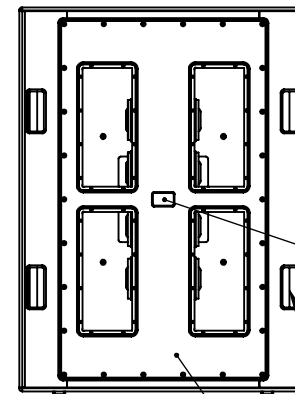
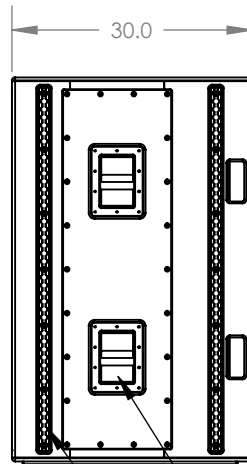
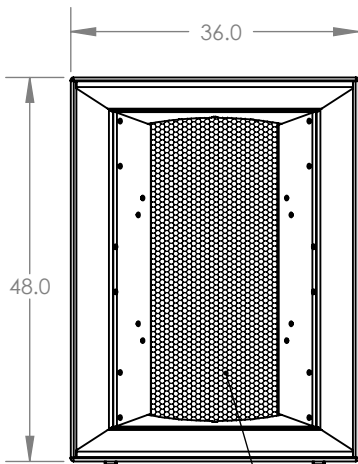
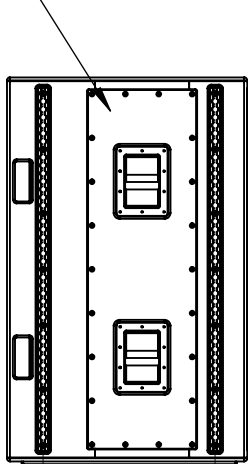


Attachment Points:  
8 Places  
4 on Top  
4 on Bottom

Fly Track:  
2 on Lt Side  
2 on Rt Side



Woofer Access Panel: x2



Info Label

Rear Edge Handles: x4

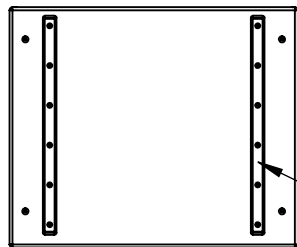
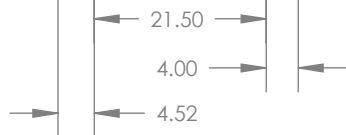
Rear Access Panel

Steel Handles:  
2 on Lt Side  
2 on Rt Side

Fly Track: 4 Places

Front Grill

Skid Runners:  
2 on Bottom



**PROPRIETARY AND CONFIDENTIAL**  
THE INFORMATION CONTAINED IN THIS DRAWING IS THE SOLE PROPERTY OF QUALITY MUSICAL SYSTEMS, INC. ANY REPRODUCTION IN PART OR AS A WHOLE WITHOUT THE WRITTEN PERMISSION OF QUALITY MUSICAL SYSTEMS, INC. IS PROHIBITED.

MATERIAL Aluminum  
FINISH  
DO NOT SCALE DRAWING

UNLESS OTHERWISE SPECIFIED:  
DIMENSIONS ARE IN INCHES  
TOLERANCES:  
FRACTIONAL ±  
ANGULAR: MACH ± BEND ±  
TWO PLACE DECIMAL ±  
THREE PLACE DECIMAL ±

DRAWN	TBW	4/28/2016
ENG APPR.		
MFG APPR.		
Q.A.		

Danley Sound Labs



TITLE: J394

SIZE A J394 Plan View

REV 1

SCALE: 1:24

Last Save Date: Thursday, April 28, 2016 12:22:46 PM