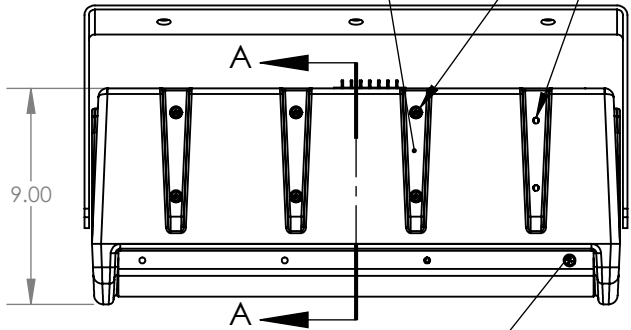


Drill for mounting Screws as Needed

Ribs: 4 places.
Crossovers and
70V transformers
Mounting Surface

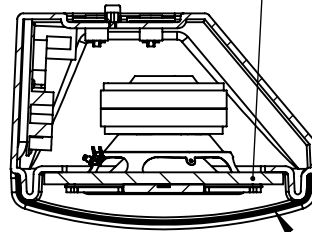
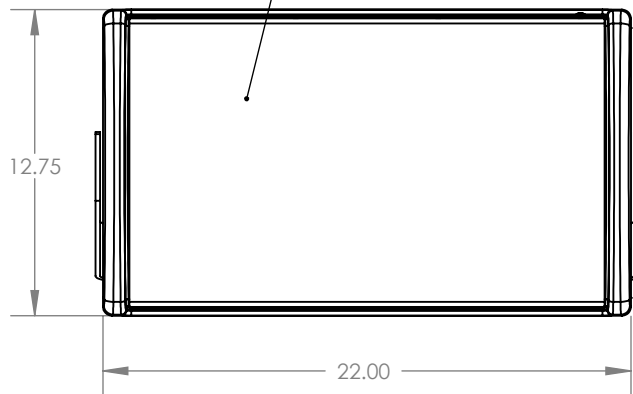


Grill Screws: 8 Places

U-Bracket Point:
3/8"-16 Thread

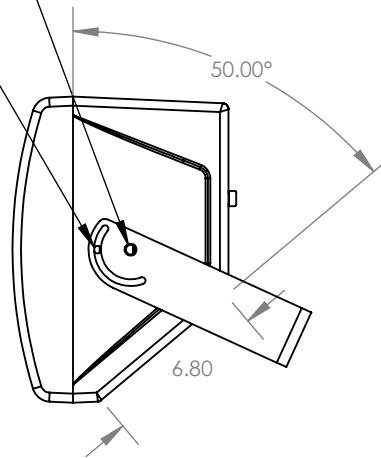
1/4" Locking Bolt:
2 Places

Steel grill

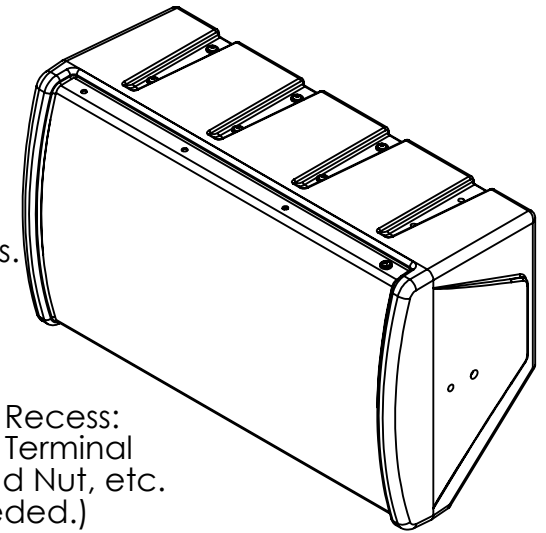


SECTION A-A
SCALE 1 : 8

Curved Grill

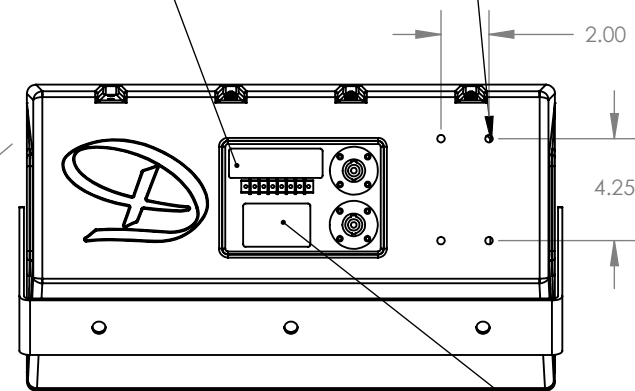


Optional:
Interchangeable
baffle for heavier drivers.



Multiuse IO Recess:
NL4-Screw, Terminal
Block, Gland Nut, etc.
(Drill as needed.)

Universal Mount:
Attachment Point
4 places: 1/4"-20 X 1"



Info Label

PROPRIETARY AND CONFIDENTIAL
THE INFORMATION CONTAINED IN THIS
DRAWING IS THE SOLE PROPERTY OF
DANLEY SOUND LABS. ANY
REPRODUCTION IN PART OR AS A WHOLE
WITHOUT THE WRITTEN PERMISSION OF
DANLEY SOUND LABS IS PROHIBITED.

MATERIAL
FINISH
DO NOT SCALE DRAWING

UNLESS OTHERWISE SPECIFIED:
DIMENSIONS ARE IN INCHES
TOLERANCES:
FRACTIONAL ±
ANGULAR: MACH ± BEND ±
TWO PLACE DECIMAL ±
THREE PLACE DECIMAL ±

DRAWN TBW 4/20/2015
ENG APPR.
MFG APPR.
Q.A.

Danley Sound Labs
TITLE: Universal Enclosure
SIZE **A** Roto Molded Enclosure.
SCALE: 1:16



REV 1

Last Save Date: Monday, April 20, 2015 5:12:38 PM