

PROPRIETARY AND CONFIDENTIAL
 THE INFORMATION CONTAINED IN THIS DRAWING IS THE SOLE PROPERTY OF QUALITY MUSICAL SYSTEMS, INC. ANY REPRODUCTION IN PART OR AS A WHOLE WITHOUT THE WRITTEN PERMISSION OF QUALITY MUSICAL SYSTEMS, INC. IS PROHIBITED.

MATERIAL
 FINISH
 DO NOT SCALE DRAWING

UNLESS OTHERWISE SPECIFIED:
 DIMENSIONS ARE IN INCHES
 TOLERANCES:
 FRACTIONAL ±
 ANGULAR: MACH ± BEND ±
 TWO PLACE DECIMAL ±
 THREE PLACE DECIMAL ±

DRAWN	CBH	8/9/2016
ENG APPR.		
MFG APPR.		
Q.A.		

Danley Sound Labs



TITLE: J3 Cradle

SIZE **A**

REV: 5

SCALE: 1:6

Last Save Date: Tuesday, August 09, 2016 2:03:47 PM

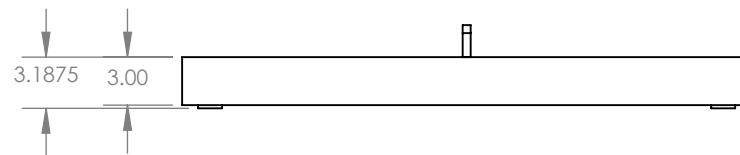
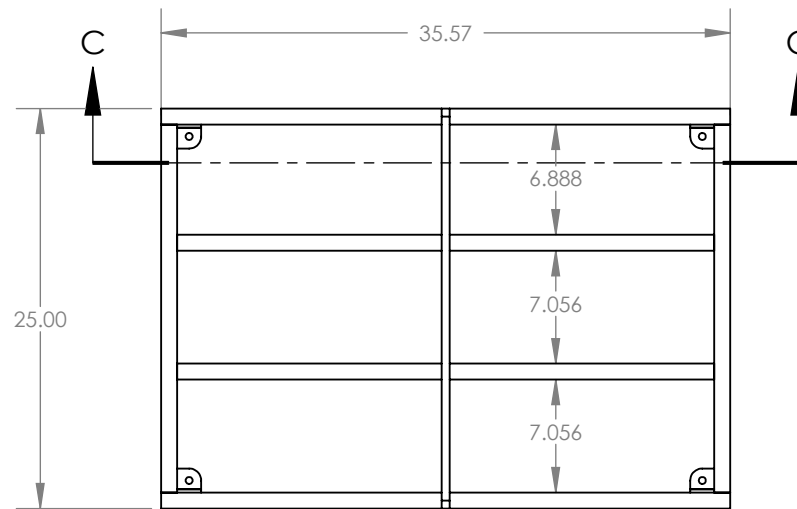
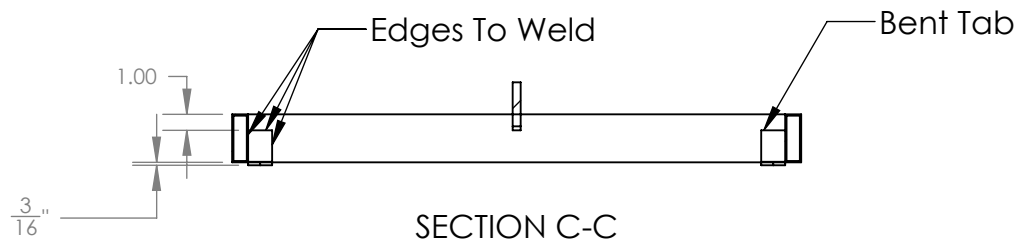
5

4

3

2

1



PROPRIETARY AND CONFIDENTIAL
 THE INFORMATION CONTAINED IN THIS DRAWING IS THE SOLE PROPERTY OF QUALITY MUSICAL SYSTEMS, INC. ANY REPRODUCTION IN PART OR AS A WHOLE WITHOUT THE WRITTEN PERMISSION OF QUALITY MUSICAL SYSTEMS, INC. IS PROHIBITED.

MATERIAL
 FINISH
 DO NOT SCALE DRAWING

UNLESS OTHERWISE SPECIFIED:
 DIMENSIONS ARE IN INCHES
 TOLERANCES:
 FRACTIONAL ±
 ANGULAR: MACH ± BEND ±
 TWO PLACE DECIMAL ±
 THREE PLACE DECIMAL ±

DRAWN	CBH	8/9/2016
ENG APPR.		
MFG APPR.		
Q.A.		

Danley Sound Labs



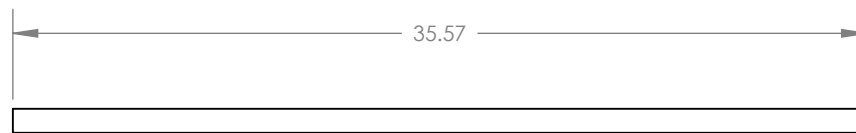
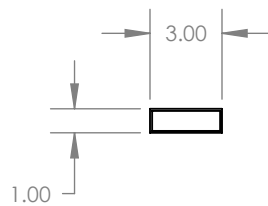
TITLE: J3 94 Cradle Assmbly Dims

SIZE **A**

REV: 5

SCALE: 1:6

Last Save Date: Tuesday, August 09, 2016 2:04:32 PM



NOTE: 3"x1" Rectangular Tubing
Two Per Assembly

PROPRIETARY AND CONFIDENTIAL
THE INFORMATION CONTAINED IN THIS DRAWING IS THE SOLE PROPERTY OF QUALITY MUSICAL SYSTEMS, INC. ANY REPRODUCTION IN PART OR AS A WHOLE WITHOUT THE WRITTEN PERMISSION OF QUALITY MUSICAL SYSTEMS, INC. IS PROHIBITED.

MATERIAL
FINISH
DO NOT SCALE DRAWING

UNLESS OTHERWISE SPECIFIED:
DIMENSIONS ARE IN INCHES
TOLERANCES:
FRACTIONAL ±
ANGULAR: MACH ± BEND ±
TWO PLACE DECIMAL ±
THREE PLACE DECIMAL ±

DRAWN	CBH	8/9/2016
ENG APPR.		
MFG APPR.		
Q.A.		

Danley Sound Labs



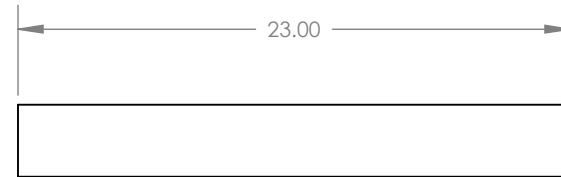
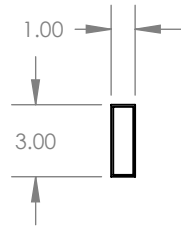
TITLE: 3"x1"x35.57"

SIZE **A**

REV: 5

SCALE: 1:8

Last Save Date: Tuesday, August 09, 2016 2:04:32 PM



NOTE: 3"x1" Rectangular Tube
Two Per Assembly

PROPRIETARY AND CONFIDENTIAL
THE INFORMATION CONTAINED IN THIS DRAWING IS THE SOLE PROPERTY OF QUALITY MUSICAL SYSTEMS, INC. ANY REPRODUCTION IN PART OR AS A WHOLE WITHOUT THE WRITTEN PERMISSION OF QUALITY MUSICAL SYSTEMS, INC. IS PROHIBITED.

MATERIAL
FINISH
DO NOT SCALE DRAWING

UNLESS OTHERWISE SPECIFIED:
DIMENSIONS ARE IN INCHES
TOLERANCES:
FRACTIONAL ±
ANGULAR: MACH ± BEND ±
TWO PLACE DECIMAL ±
THREE PLACE DECIMAL ±

DRAWN	CBH	8/9/2016
ENG APPR.		
MFG APPR.		
Q.A.		

Danley Sound Labs



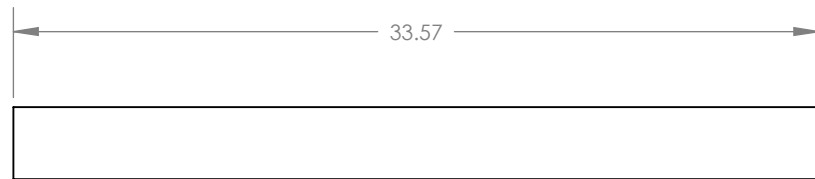
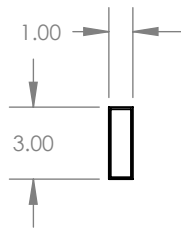
TITLE: 3"x1"x23" Rec Tube

SIZE **A**

REV: 5

SCALE: 1:8

Last Save Date: Tuesday, August 09, 2016 2:04:32 PM



NOTE: 3"x1" Rectangular Tube
Two Per Assembly

PROPRIETARY AND CONFIDENTIAL THE INFORMATION CONTAINED IN THIS DRAWING IS THE SOLE PROPERTY OF QUALITY MUSICAL SYSTEMS, INC. ANY REPRODUCTION IN PART OR AS A WHOLE WITHOUT THE WRITTEN PERMISSION OF QUALITY MUSICAL SYSTEMS, INC. IS PROHIBITED.	MATERIAL	UNLESS OTHERWISE SPECIFIED: DIMENSIONS ARE IN INCHES TOLERANCES: FRACTIONAL ± ANGULAR: MACH ± BEND ± TWO PLACE DECIMAL ± THREE PLACE DECIMAL ±	DRAWN	CBH	8/9/2016	Danley Sound Labs		
	FINISH		ENG APPR.			TITLE: 3"x1"x33.57" Rec Tube		
	DO NOT SCALE DRAWING		MFG APPR.			SIZE A	REV: 5	
			Q.A.			SCALE: 1:8	Last Save Date: Tuesday, August 09, 2016 2:04:32 PM	

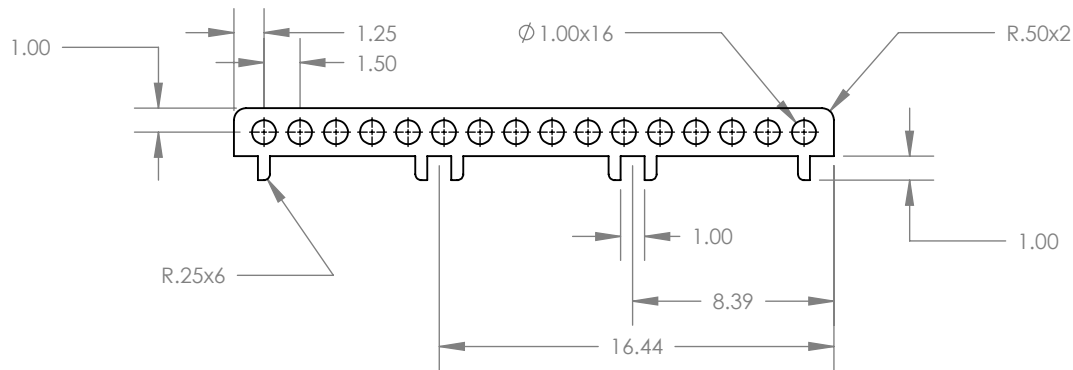
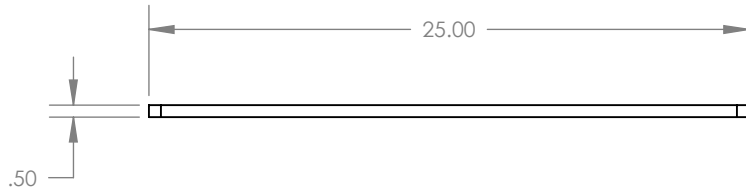
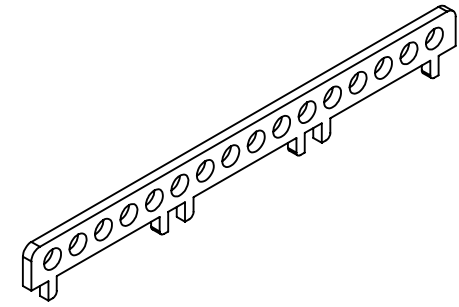
5

4

3

2

1



PROPRIETARY AND CONFIDENTIAL
 THE INFORMATION CONTAINED IN THIS DRAWING IS THE SOLE PROPERTY OF QUALITY MUSICAL SYSTEMS, INC. ANY REPRODUCTION IN PART OR AS A WHOLE WITHOUT THE WRITTEN PERMISSION OF QUALITY MUSICAL SYSTEMS, INC. IS PROHIBITED.

MATERIAL
 FINISH
 DO NOT SCALE DRAWING

UNLESS OTHERWISE SPECIFIED:
 DIMENSIONS ARE IN INCHES
 TOLERANCES:
 FRACTIONAL ±
 ANGULAR: MACH ± BEND ±
 TWO PLACE DECIMAL ±
 THREE PLACE DECIMAL ±

DRAWN	CBH	8/9/2016
ENG APPR.		
MFG APPR.		
Q.A.		

Danley Sound Labs



TITLE: Cradle Spine

SIZE **A**

REV: 5

SCALE: 1:8

Last Save Date: Tuesday, August 09, 2016 2:04:32 PM

5

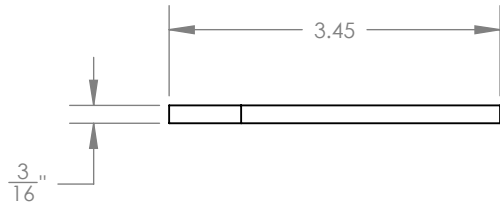
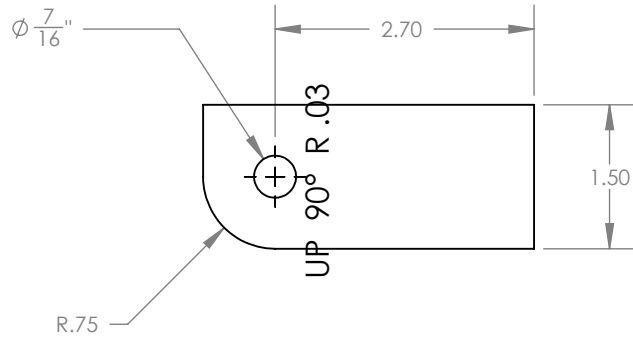
4

3

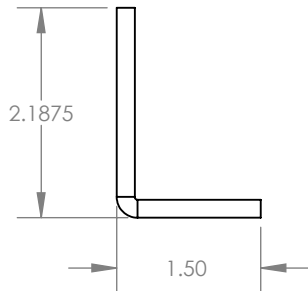
2

1

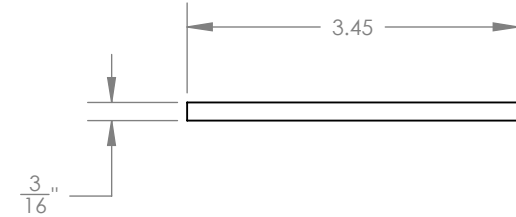
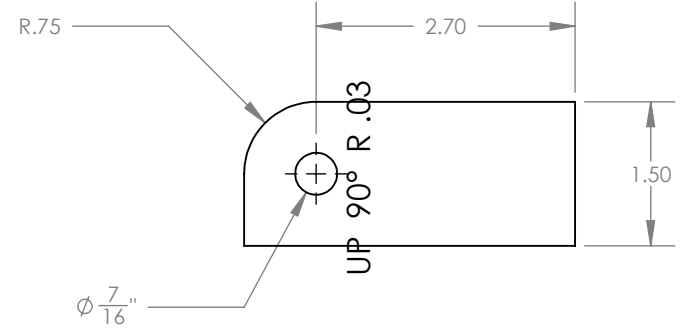
Flat Pattern



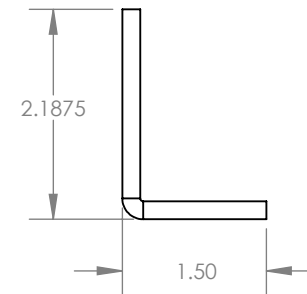
Bent



Flat Pattern



Bent



NOTE: Two Different Configurations
Two of each config per assbly

PROPRIETARY AND CONFIDENTIAL
THE INFORMATION CONTAINED IN THIS DRAWING IS THE SOLE PROPERTY OF QUALITY MUSICAL SYSTEMS, INC. ANY REPRODUCTION IN PART OR AS A WHOLE WITHOUT THE WRITTEN PERMISSION OF QUALITY MUSICAL SYSTEMS, INC. IS PROHIBITED.

MATERIAL
FINISH
DO NOT SCALE DRAWING

UNLESS OTHERWISE SPECIFIED:
DIMENSIONS ARE IN INCHES
TOLERANCES:
FRACTIONAL ±
ANGULAR: MACH ± BEND ±
TWO PLACE DECIMAL ±
THREE PLACE DECIMAL ±

DRAWN	CBH	8/9/2016
ENG APPR.		
MFG APPR.		
Q.A.		

Danley Sound Labs



TITLE: Bent Tab

SIZE **A**

REV: 5

SCALE: 1:2

Last Save Date: Tuesday, August 09, 2016 2:04:32 PM