

PROPRIETARY AND CONFIDENTIAL
 THE INFORMATION CONTAINED IN THIS DRAWING IS THE SOLE PROPERTY OF DANLEY SOUND LABS. ANY REPRODUCTION IN PART OR AS A WHOLE WITHOUT THE WRITTEN PERMISSION OF DANLEY SOUND LABS IS PROHIBITED.

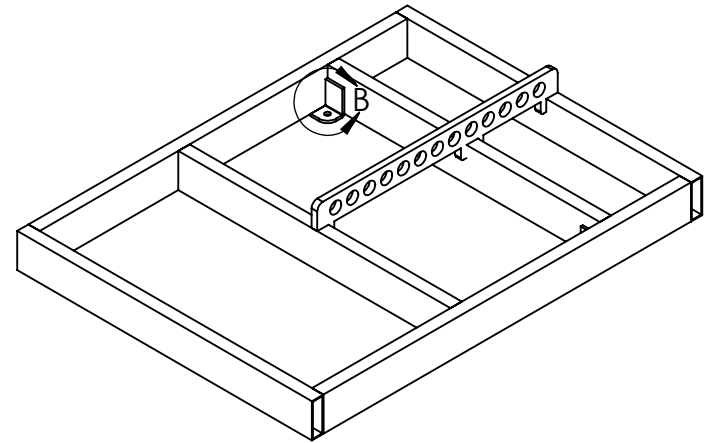
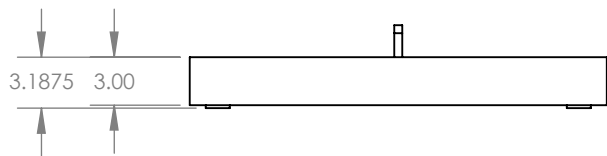
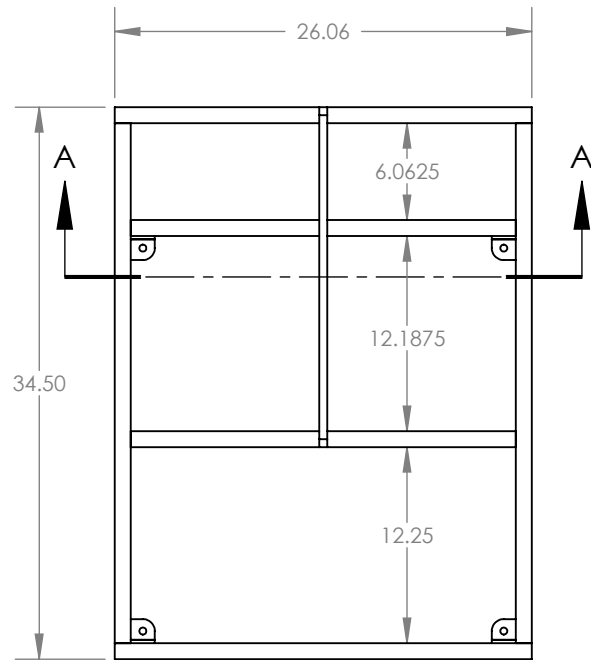
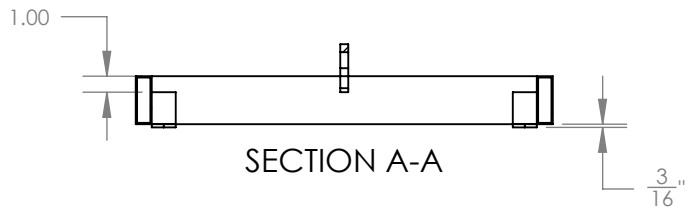
MATERIAL
 FINISH
 DO NOT SCALE DRAWING

UNLESS OTHERWISE SPECIFIED:
 DIMENSIONS ARE IN INCHES
 TOLERANCES:
 FRACTIONAL ±
 ANGULAR: MACH ± BEND ±
 TWO PLACE DECIMAL ±
 THREE PLACE DECIMAL ±

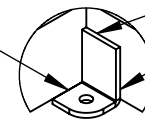
DRAWN	CBH	7/5/2017
ENG APPR.		
MFG APPR.		
Q.A.		

Danley Sound Labs
 TITLE: J6 Cradle Assembly
 SIZE **A**
 SCALE: 1:6


 REV: 1
 Last Save Date: Wednesday, July 05, 2017 10:07:01 AM



NOTE: Weld along these edges.



DETAIL B
SCALE 1 : 6

PROPRIETARY AND CONFIDENTIAL
THE INFORMATION CONTAINED IN THIS DRAWING IS THE SOLE PROPERTY OF DANLEY SOUND LABS. ANY REPRODUCTION IN PART OR AS A WHOLE WITHOUT THE WRITTEN PERMISSION OF DANLEY SOUND LABS IS PROHIBITED.

MATERIAL
FINISH
DO NOT SCALE DRAWING

UNLESS OTHERWISE SPECIFIED:
DIMENSIONS ARE IN INCHES
TOLERANCES:
FRACTIONAL ±
ANGULAR: MACH ± BEND ±
TWO PLACE DECIMAL ±
THREE PLACE DECIMAL ±

DRAWN CBH 7/5/2017
ENG APPR.
MFG APPR.
Q.A.

Danley Sound Labs



TITLE: J6 Cradle Assembly Dims

SIZE **A**

REV: 1

SCALE: 1:12

Last Save Date: Wednesday, July 05, 2017 10:07:01 AM

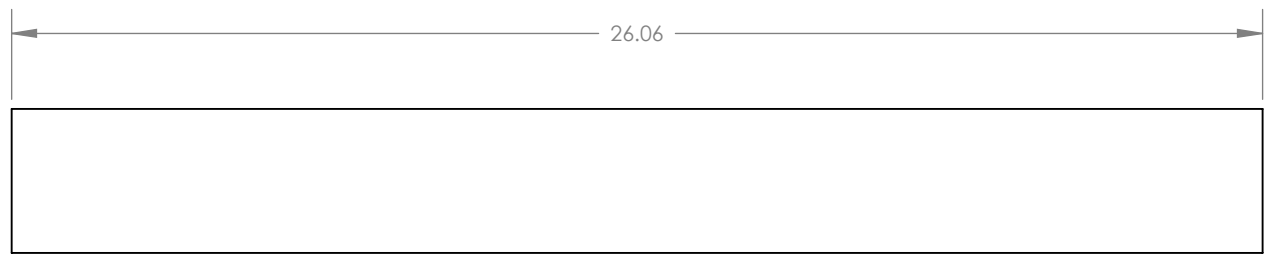
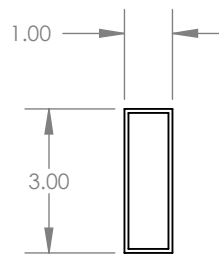
5

4

3

2

1



NOTE: 3"x1" Rectangular Tubing
Two Per Assembly

PROPRIETARY AND CONFIDENTIAL THE INFORMATION CONTAINED IN THIS DRAWING IS THE SOLE PROPERTY OF DANLEY SOUND LABS. ANY REPRODUCTION IN PART OR AS A WHOLE WITHOUT THE WRITTEN PERMISSION OF DANLEY SOUND LABS IS PROHIBITED.	MATERIAL	UNLESS OTHERWISE SPECIFIED: DIMENSIONS ARE IN INCHES TOLERANCES: FRACTIONAL ± ANGULAR: MACH ± BEND ± TWO PLACE DECIMAL ± THREE PLACE DECIMAL ±	DRAWN	CBH	7/5/2017	Danley Sound Labs		
	FINISH		ENG APPR.			TITLE: 26.06" Rec Tube		
	DO NOT SCALE DRAWING		MFG APPR.			SIZE A	REV: 1	
			Q.A.			SCALE: 1:4	Last Save Date: Wednesday, July 05, 2017 10:07:01 AM	

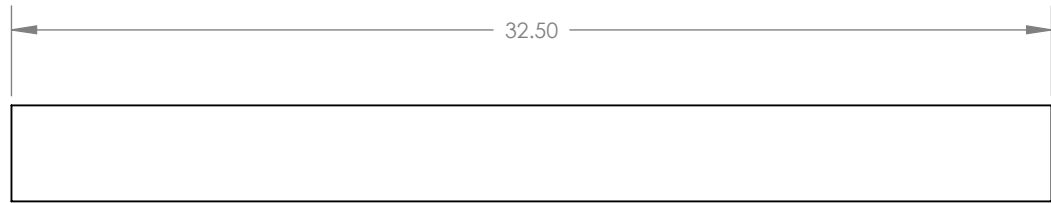
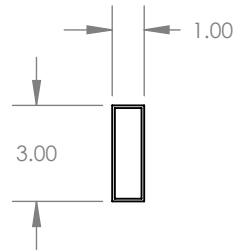
5

4


3

2

1



NOTE: 3"x1" Rectangular Tubing
Two Per Assembly

PROPRIETARY AND CONFIDENTIAL THE INFORMATION CONTAINED IN THIS DRAWING IS THE SOLE PROPERTY OF DANLEY SOUND LABS. ANY REPRODUCTION IN PART OR AS A WHOLE WITHOUT THE WRITTEN PERMISSION OF DANLEY SOUND LABS IS PROHIBITED.	MATERIAL	UNLESS OTHERWISE SPECIFIED: DIMENSIONS ARE IN INCHES TOLERANCES: FRACTIONAL ± ANGULAR: MACH ± BEND ± TWO PLACE DECIMAL ± THREE PLACE DECIMAL ±	DRAWN	CBH	7/5/2017	Danley Sound Labs		
	FINISH		ENG APPR.			TITLE: 32.50" Rec Tube		
	DO NOT SCALE DRAWING		MFG APPR.			SIZE A	REV: 1	
			Q.A.			SCALE: 1:6	Last Save Date: Wednesday, July 05, 2017 10:07:01 AM	

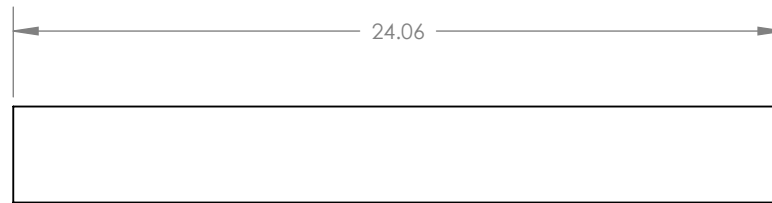
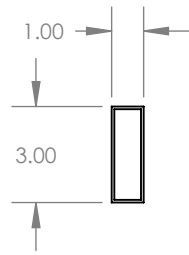
5

4

3

2

1



NOTE: 3"x1" Rectangular Tubing
Two Per Assembly

PROPRIETARY AND CONFIDENTIAL
THE INFORMATION CONTAINED IN THIS DRAWING IS THE SOLE PROPERTY OF DANLEY SOUND LABS. ANY REPRODUCTION IN PART OR AS A WHOLE WITHOUT THE WRITTEN PERMISSION OF DANLEY SOUND LABS IS PROHIBITED.

MATERIAL
FINISH
DO NOT SCALE DRAWING

UNLESS OTHERWISE SPECIFIED:
DIMENSIONS ARE IN INCHES
TOLERANCES:
FRACTIONAL ±
ANGULAR: MACH ± BEND ±
TWO PLACE DECIMAL ±
THREE PLACE DECIMAL ±

DRAWN	CBH	7/5/2017
ENG APPR.		
MFG APPR.		
Q.A.		

Danley Sound Labs



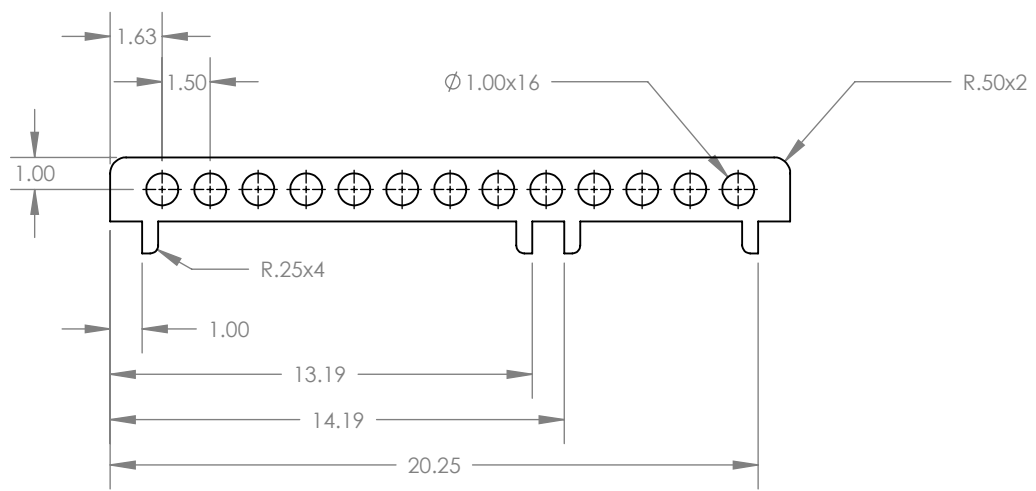
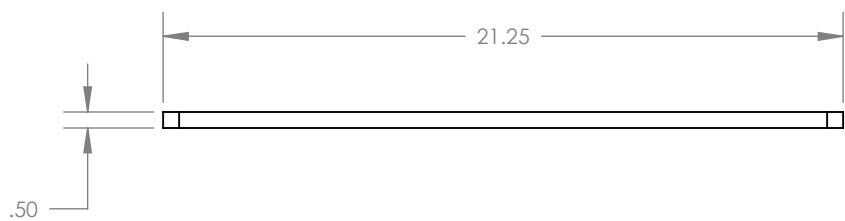
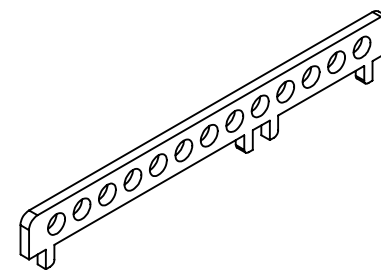
TITLE: 24.06" Rec Tube

SIZE **A**

REV: 1

SCALE: 1:6

Last Save Date: Wednesday, July 05, 2017 10:07:01 AM



PROPRIETARY AND CONFIDENTIAL
 THE INFORMATION CONTAINED IN THIS DRAWING IS THE SOLE PROPERTY OF DANLEY SOUND LABS. ANY REPRODUCTION IN PART OR AS A WHOLE WITHOUT THE WRITTEN PERMISSION OF DANLEY SOUND LABS IS PROHIBITED.

MATERIAL
 FINISH
 DO NOT SCALE DRAWING

UNLESS OTHERWISE SPECIFIED:
 DIMENSIONS ARE IN INCHES
 TOLERANCES:
 FRACTIONAL ±
 ANGULAR: MACH ± BEND ±
 TWO PLACE DECIMAL ±
 THREE PLACE DECIMAL ±

DRAWN CBH 7/5/2017
 ENG APPR.
 MFG APPR.
 Q.A.

Danley Sound Labs
 TITLE: J6 Cradle Spine
 SIZE **A**
 SCALE: 1:6
 Last Save Date: Wednesday, July 05, 2017 10:07:01 AM
 REV: 1



5

4

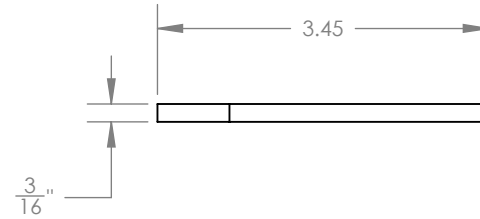
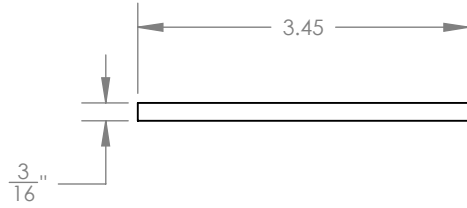
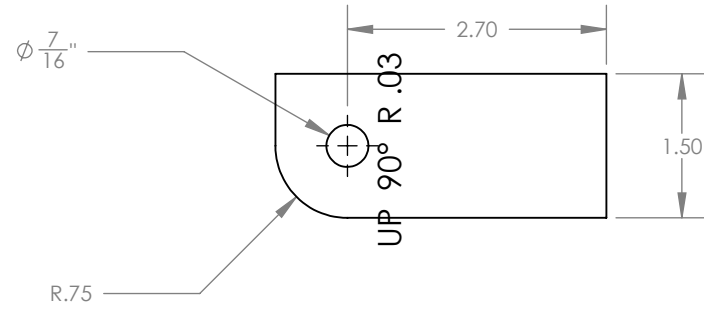
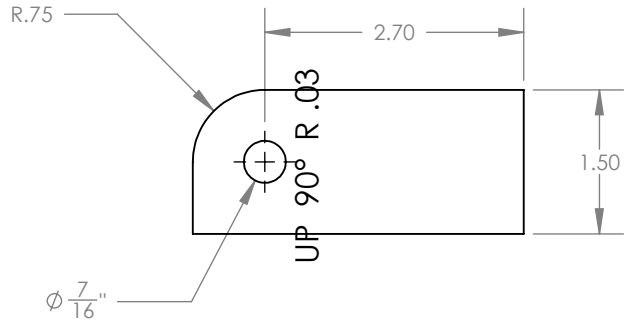
3

2

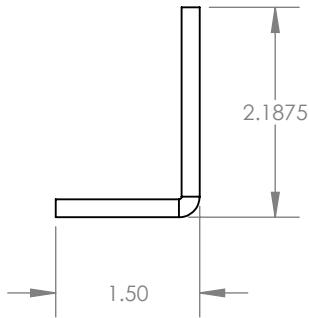
1

Flat Pattern

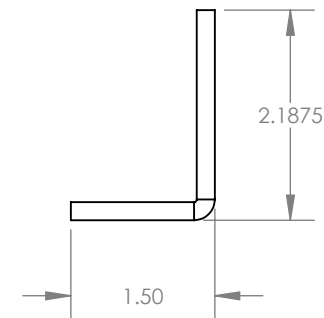
Flat Pattern



Bent



Bent



NOTE: Two Different Configurations
Two of each configs per assmly

PROPRIETARY AND CONFIDENTIAL
THE INFORMATION CONTAINED IN THIS DRAWING IS THE SOLE PROPERTY OF DANLEY SOUND LABS. ANY REPRODUCTION IN PART OR AS A WHOLE WITHOUT THE WRITTEN PERMISSION OF DANLEY SOUND LABS IS PROHIBITED.

MATERIAL
FINISH
DO NOT SCALE DRAWING

UNLESS OTHERWISE SPECIFIED:
DIMENSIONS ARE IN INCHES
TOLERANCES:
FRACTIONAL ±
ANGULAR: MACH ± BEND ±
TWO PLACE DECIMAL ±
THREE PLACE DECIMAL ±

DRAWN	CBH	7/5/2017
ENG APPR.		
MFG APPR.		
Q.A.		

Danley Sound Labs



TITLE: J6 Bent Tabs

SIZE **A**

REV: 1

SCALE: 1:2

Last Save Date: Wednesday, July 05, 2017 10:07:01 AM