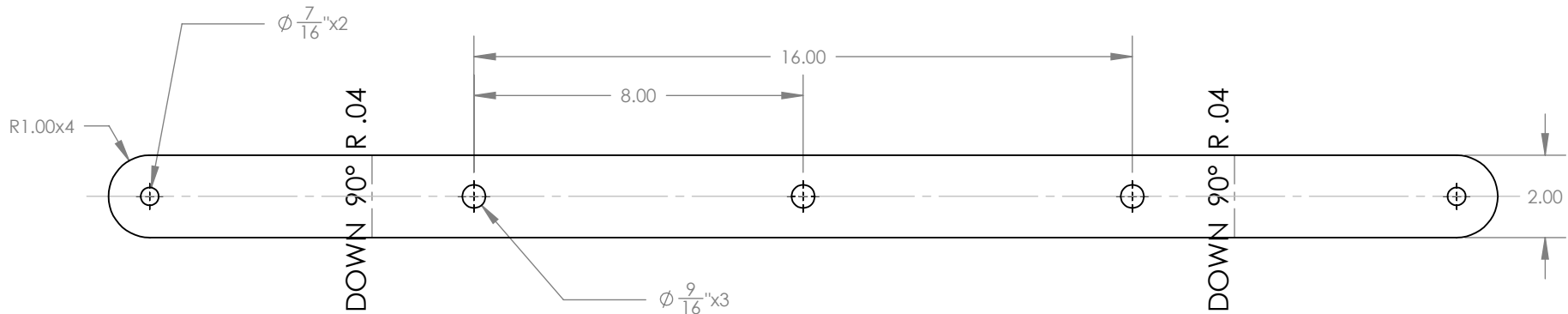
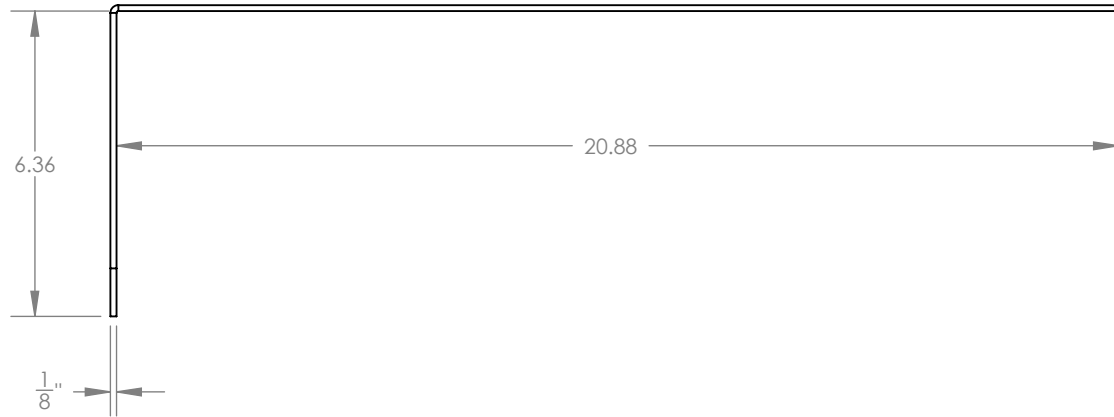


Note: Bracket allows for 20° of down angle.



PROPRIETARY AND CONFIDENTIAL
 THE INFORMATION CONTAINED IN THIS DRAWING IS THE SOLE PROPERTY OF QUALITY MUSICAL SYSTEMS, INC. ANY REPRODUCTION IN PART OR AS A WHOLE WITHOUT THE WRITTEN PERMISSION OF QUALITY MUSICAL SYSTEMS, INC. IS PROHIBITED.

MATERIAL
 FINISH
 DO NOT SCALE DRAWING

UNLESS OTHERWISE SPECIFIED:
 DIMENSIONS ARE IN INCHES
 TOLERANCES:
 FRACTIONAL ±
 ANGULAR: MACH ± BEND ±
 TWO PLACE DECIMAL ±
 THREE PLACE DECIMAL ±

DRAWN	CBH	10/7/2016
ENG APPR.		
MFG APPR.		
Q.A.		

Danley Sound Labs		
TITLE: SM100 Cinema Wall Bracket		
SIZE A	REV: 3	
SCALE: 1:4	Last Save Date: Friday, October 07, 2016 3:04:13 PM	