



SM90 Full Range Utility Loudspeaker

KEY FEATURES:

- ▶ Exceptional Fidelity
- ▶ 90° conical coverage
- ▶ 12"/1" Coaxial horn loaded system
- ▶ Ported enclosure
- ▶ Flexible mounting solutions
- ▶ Sentinel HF protection circuitry

Utilizing our patented Synergy Horn™ technology the SM90 is a full range, fully horn loaded coaxial utility loudspeaker. Designed as a passive two-way system with a built-in 15° down angle as well as our Sentinel high frequency protection circuit the SM90 will fit a multitude of applications from main PA for small houses of worship to auditoriums and theaters to delays and fills for larger systems. Versatility is another feature of the SM90 with wall and ceiling (or suspension) mounting brackets available as well as threaded insert points on the rear of the cabinet for the Adaptive Technologies Multi-Mount MM-060 pan/tilt bracket. The SM90 is truly a flexible solution with the hallmark Danley sound.



Coverage Pattern _____ 90° Conical
 Operating Frequency Range _____ 63Hz - >24KHz -3dB
 _____ 40Hz - >24KHz-10dB
 Sensitivity _____ 95dB (measured as 2.83V @1m distance)
 Maximum Output _____ 120 dB SPL Cont., 126 dB SPL Peak
 Power Handling _____ 300 Watts Cont., 1200 Watts Peak
 Recommended Amplifier Power _____ 600 Watts
 Impedance _____ 8 Ohm
 Drivers _____ 1 x 12" + 1" w/ Sentinel protection on HF
 Input Connections _____ 1x NL4 1x Barrier Strip
 Enclosure Material _____ 15mm Baltic Birch, polyurea coated
 Weight _____ 55 lbs | 24.95 Kg
 Dimensions _____ in. 25.5 x 23.5 x 13.25 | cm. 64.8 x 59.7 x 33.7

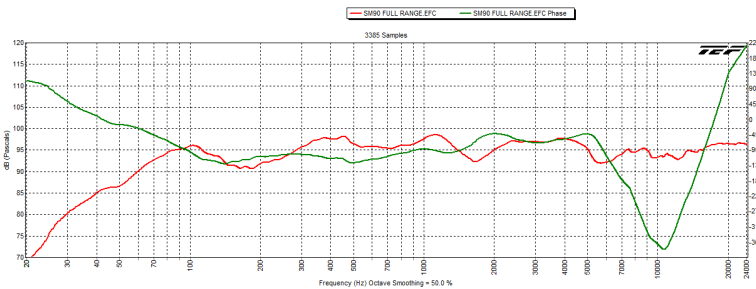


SM90 Full Range Utility Loudspeaker

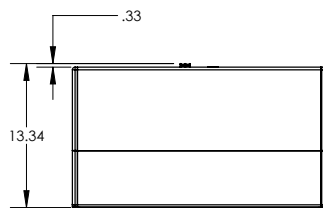
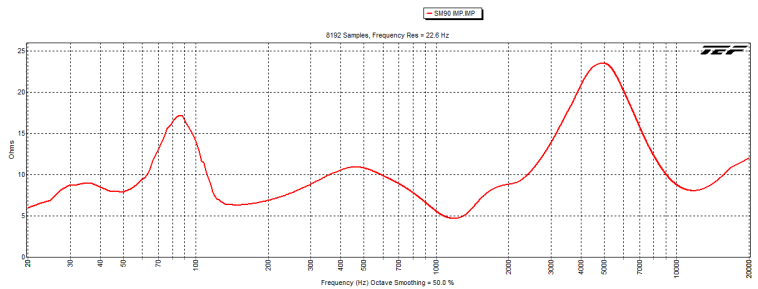
ARCHITECT/ENGINEERS SPECS

The loudspeaker shall utilize synergy horn technology. The loudspeaker shall have an operating range of 63Hz - >24KHz -3dB. Sensitivity of 95 dB SPL (measured at 2.83V @1m distance). Output of 120 dB SPL Program/126 dB SPL Peak. Power handling shall be 300 Watts cont. or 1200 Watts peak. The loudspeaker shall be constructed of 15mm Baltic Birch, polyurea coated. The loudspeaker shall be the Danley Sound Labs SM90.

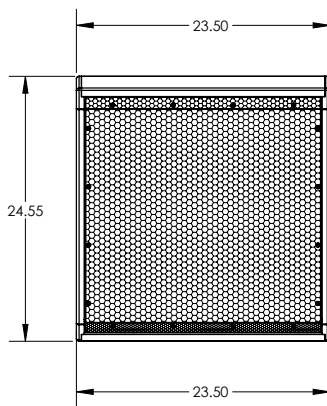
SM90 full response
7/22/2020 10:02:44 PM



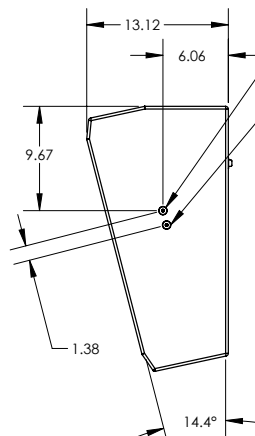
OH150V 11HP
7/22/2020 8:17:10 PM



Top View



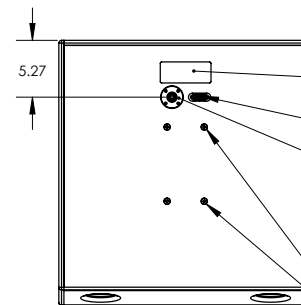
Front View



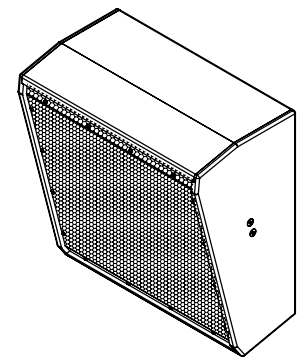
Right View

U-Bracket Pivot Point:
M10 Thread

Pivot Set Screw:
M10 Thread



Back View



Isometric View

Info Label

Barrier Strip

NL4

MM-120
(or)
MM-060
Bracket:
Mounting Point:
4 Places
1/4"-20, 4 Places