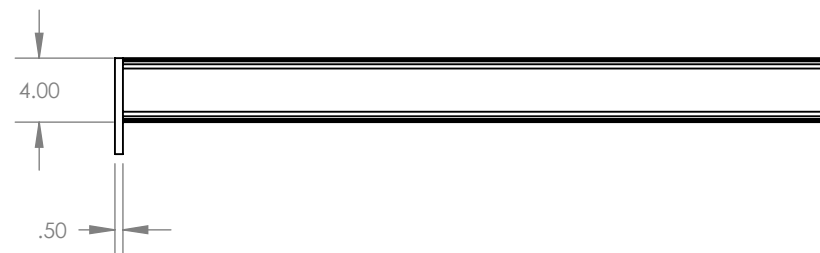
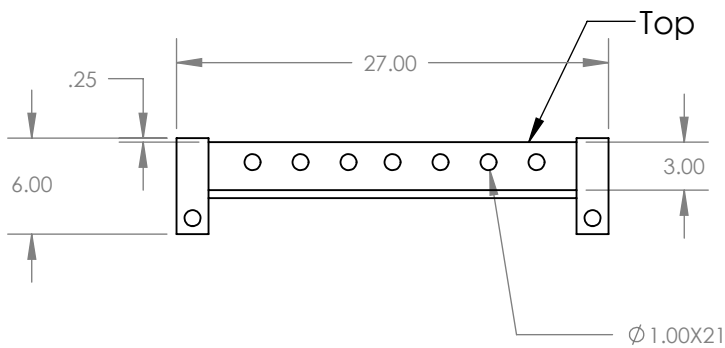
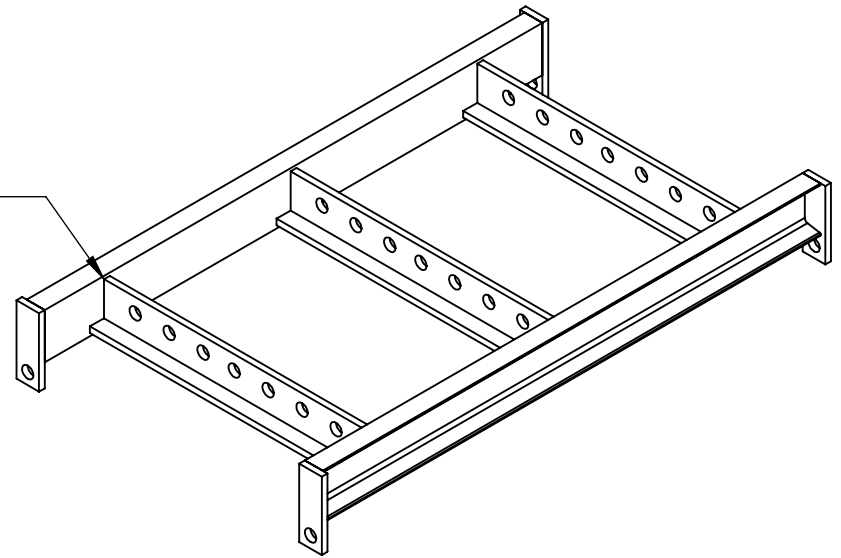


Note: .25" Spacing
Top and Bottom



PROPRIETARY AND CONFIDENTIAL
THE INFORMATION CONTAINED IN THIS DRAWING IS THE SOLE PROPERTY OF DANLEY SOUND LABS, INC. ANY REPRODUCTION IN PART OR AS A WHOLE WITHOUT THE WRITTEN PERMISSION OF DSNLEY SOUND LABS, INC. IS PROHIBITED.

MATERIAL
FINISH
DO NOT SCALE DRAWING

UNLESS OTHERWISE SPECIFIED:
DIMENSIONS ARE IN INCHES
TOLERANCES:
FRACTIONAL ±
ANGULAR: MACH ± BEND ±
TWO PLACE DECIMAL ±
THREE PLACE DECIMAL ±

DRAWN	CBH	9/1/2015
ENG APPR.		
MFG APPR.		
Q.A.		

Danley Sound Labs		
TITLE: JH90 Cradle		
SIZE A	REV:A	
SCALE: 1:12	Last Save Date: Tuesday, September 01, 2015 10:31:04 AM	

5

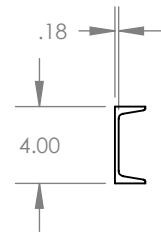
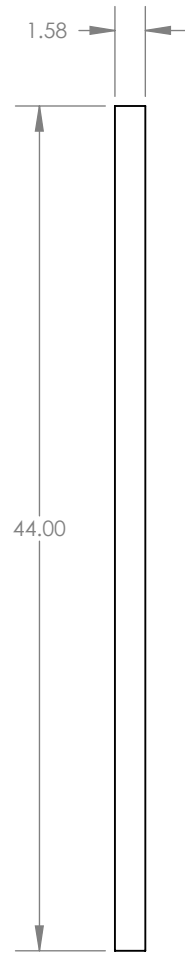
4


3

2

1

C-Channel: C4x5.4x44



<p>PROPRIETARY AND CONFIDENTIAL THE INFORMATION CONTAINED IN THIS DRAWING IS THE SOLE PROPERTY OF DANLEY SOUND LABS, INC. ANY REPRODUCTION IN PART OR AS A WHOLE WITHOUT THE WRITTEN PERMISSION OF DSNLEY SOUND LABS, INC. IS PROHIBITED.</p>	MATERIAL	<p>UNLESS OTHERWISE SPECIFIED: DIMENSIONS ARE IN INCHES TOLERANCES: FRACTIONAL ± ANGULAR: MACH ± BEND ± TWO PLACE DECIMAL ± THREE PLACE DECIMAL ±</p>	DRAWN	CBH	9/1/2015	Danley Sound Labs		
	FINISH		ENG APPR.			TITLE: J1 Crossbar C Channel		
	DO NOT SCALE DRAWING		MFG APPR.			SIZE A	REV: 1	
			Q.A.			SCALE: 1:10	Last Save Date: Tuesday, September 01, 2015 10:31:04 AM	

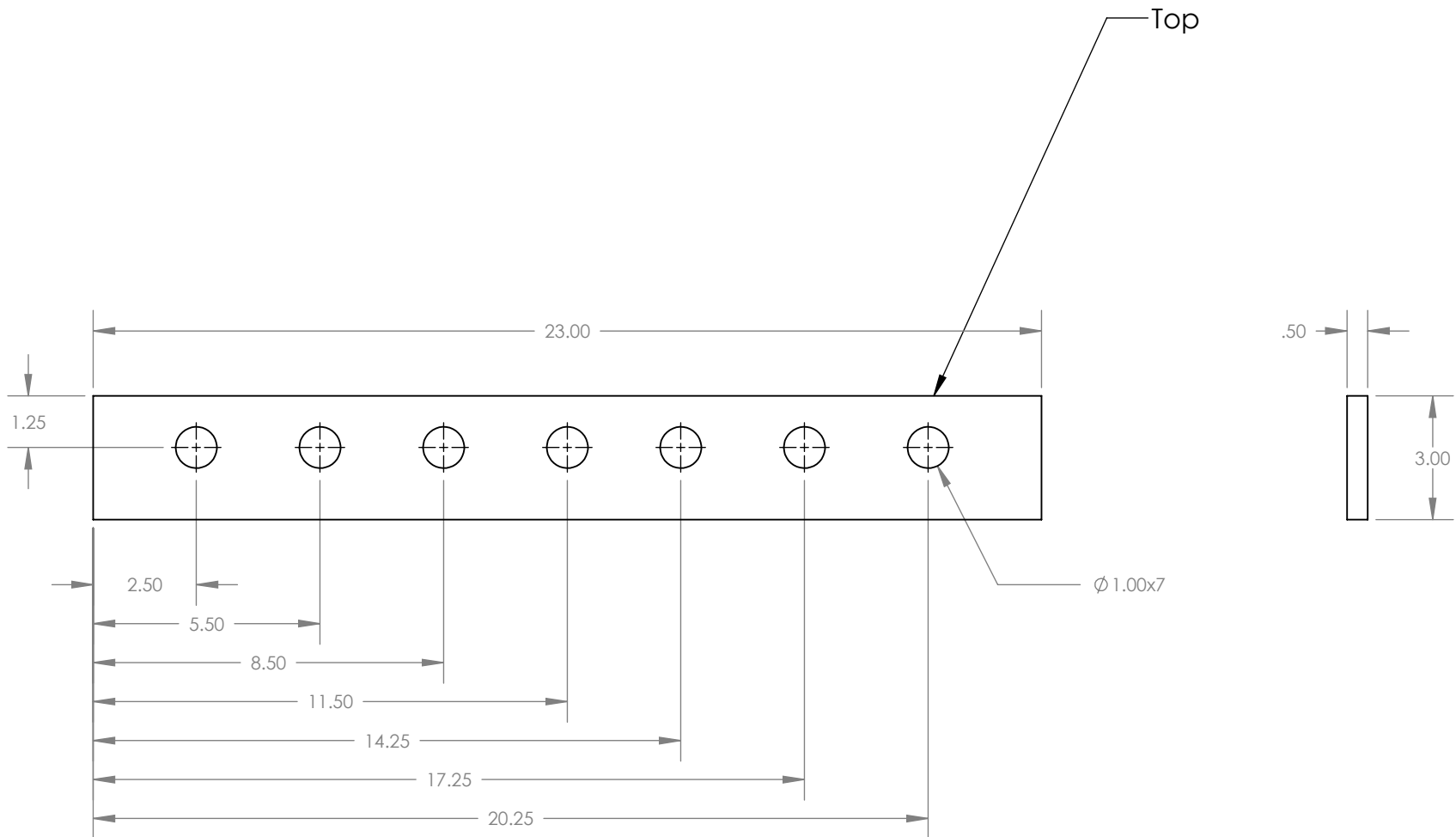
5

4

3

2

1




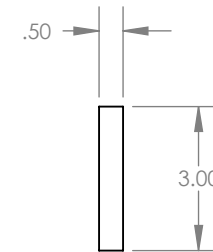
PROPRIETARY AND CONFIDENTIAL
 THE INFORMATION CONTAINED IN THIS DRAWING IS THE SOLE PROPERTY OF DANLEY SOUND LABS, INC. ANY REPRODUCTION IN PART OR AS A WHOLE WITHOUT THE WRITTEN PERMISSION OF DSNLEY SOUND LABS, INC. IS PROHIBITED.

MATERIAL
 FINISH
 DO NOT SCALE DRAWING

UNLESS OTHERWISE SPECIFIED:
 DIMENSIONS ARE IN INCHES
 TOLERANCES:
 FRACTIONAL ±
 ANGULAR: MACH ± BEND ±
 TWO PLACE DECIMAL ±
 THREE PLACE DECIMAL ±

DRAWN	CBH	9/1/2015
ENG APPR.		
MFG APPR.		
Q.A.		

Danley Sound Labs		
TITLE: J1 Cross Piece		
SIZE A	REV: 1	
SCALE: 1:4	Last Save Date: Tuesday, September 01, 2015 10:31:04 AM	



PROPRIETARY AND CONFIDENTIAL
 THE INFORMATION CONTAINED IN THIS DRAWING IS THE SOLE PROPERTY OF DANLEY SOUND LABS, INC. ANY REPRODUCTION IN PART OR AS A WHOLE WITHOUT THE WRITTEN PERMISSION OF DSNLEY SOUND LABS, INC. IS PROHIBITED.

MATERIAL
 FINISH
 DO NOT SCALE DRAWING

UNLESS OTHERWISE SPECIFIED:
 DIMENSIONS ARE IN INCHES
 TOLERANCES:
 FRACTIONAL ±
 ANGULAR: MACH ± BEND ±
 TWO PLACE DECIMAL ±
 THREE PLACE DECIMAL ±

DRAWN	CBH	9/1/2015
ENG APPR.		
MFG APPR.		
Q.A.		

Danley Sound Labs		
TITLE: J1 Cross Piece Support		
SIZE A	REV: 1	
SCALE: 1:4	Last Save Date: Tuesday, September 01, 2015 10:31:04 AM	

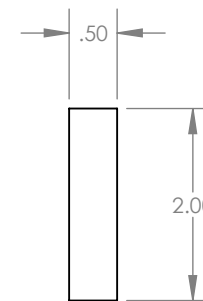
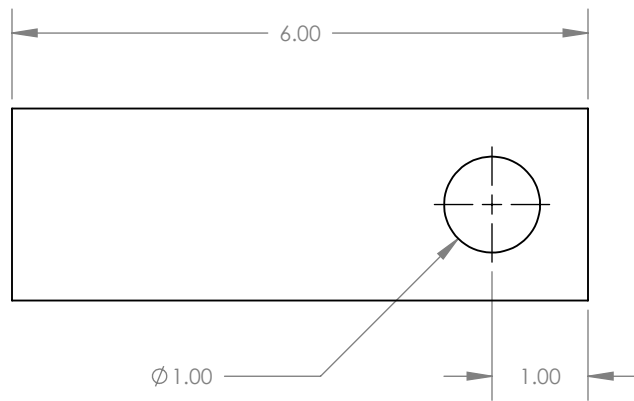
5

4

3

2

1



PROPRIETARY AND CONFIDENTIAL
 THE INFORMATION CONTAINED IN THIS DRAWING IS THE SOLE PROPERTY OF DANLEY SOUND LABS, INC. ANY REPRODUCTION IN PART OR AS A WHOLE WITHOUT THE WRITTEN PERMISSION OF DSNLEY SOUND LABS, INC. IS PROHIBITED.

MATERIAL
 FINISH
 DO NOT SCALE DRAWING

UNLESS OTHERWISE SPECIFIED:
 DIMENSIONS ARE IN INCHES
 TOLERANCES:
 FRACTIONAL ±
 ANGULAR: MACH ± BEND ±
 TWO PLACE DECIMAL ±
 THREE PLACE DECIMAL ±

DRAWN	CBH	9/1/2015
ENG APPR.		
MFG APPR.		
Q.A.		

Danley Sound Labs		
TITLE: J1 Crossbar End Piece		
SIZE A	REV: 1	
SCALE: 1:4	Last Save Date: Tuesday, September 01, 2015 10:31:04 AM	