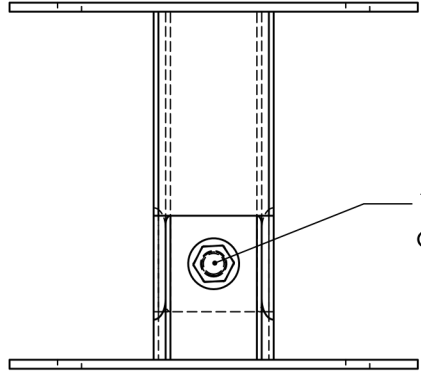
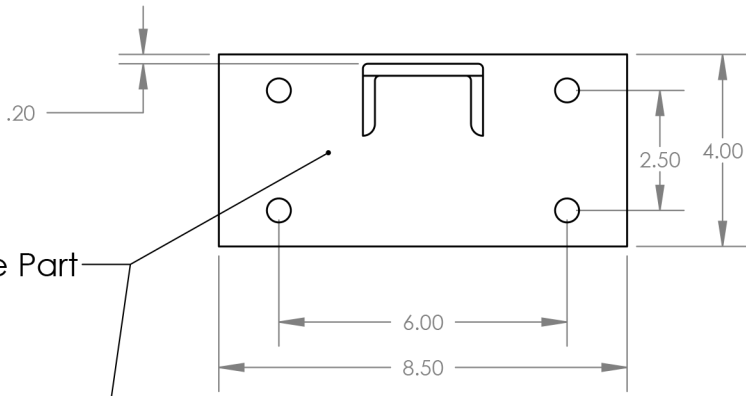


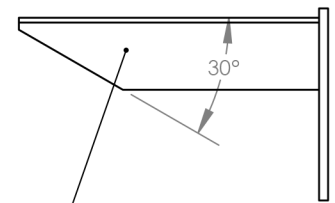
Isometric View



1/2" Bolt Washers and Lock Nut

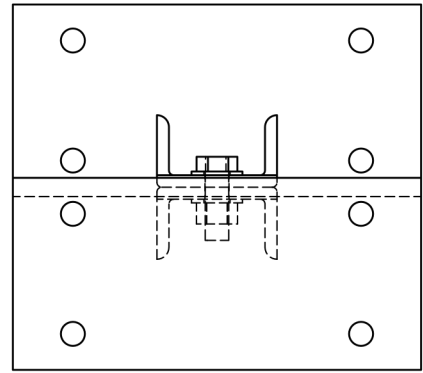
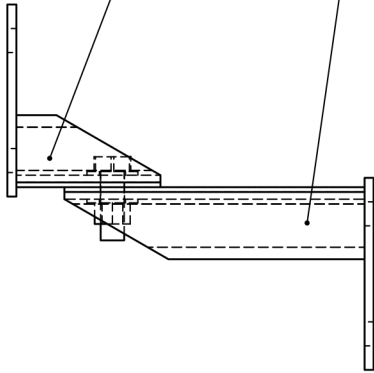
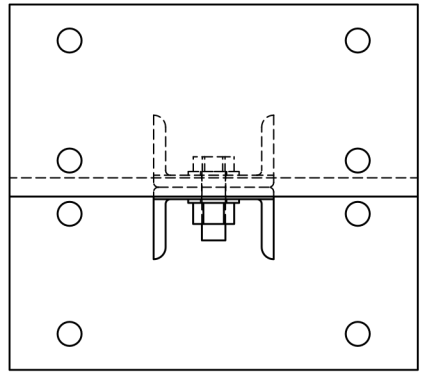


90 Degree Hinge Part



2.5" x 1.5" x 1/4" Channel

45 Degree Hinge Part



PROPRIETARY AND CONFIDENTIAL
 THE INFORMATION CONTAINED IN THIS DRAWING IS THE SOLE PROPERTY OF DANLEY SOUND LABS, ANY REPRODUCTION IN PART OR AS A WHOLE WITHOUT THE WRITTEN PERMISSION OF DANLEY SOUND LABS IS PROHIBITED.

MATERIAL
 FINISH
 DO NOT SCALE DRAWING

UNLESS OTHERWISE SPECIFIED:
 DIMENSIONS ARE IN INCHES
 TOLERANCES:
 FRACTIONAL ±
 ANGULAR: MACH ± BEND ±
 TWO PLACE DECIMAL ±
 THREE PLACE DECIMAL ±

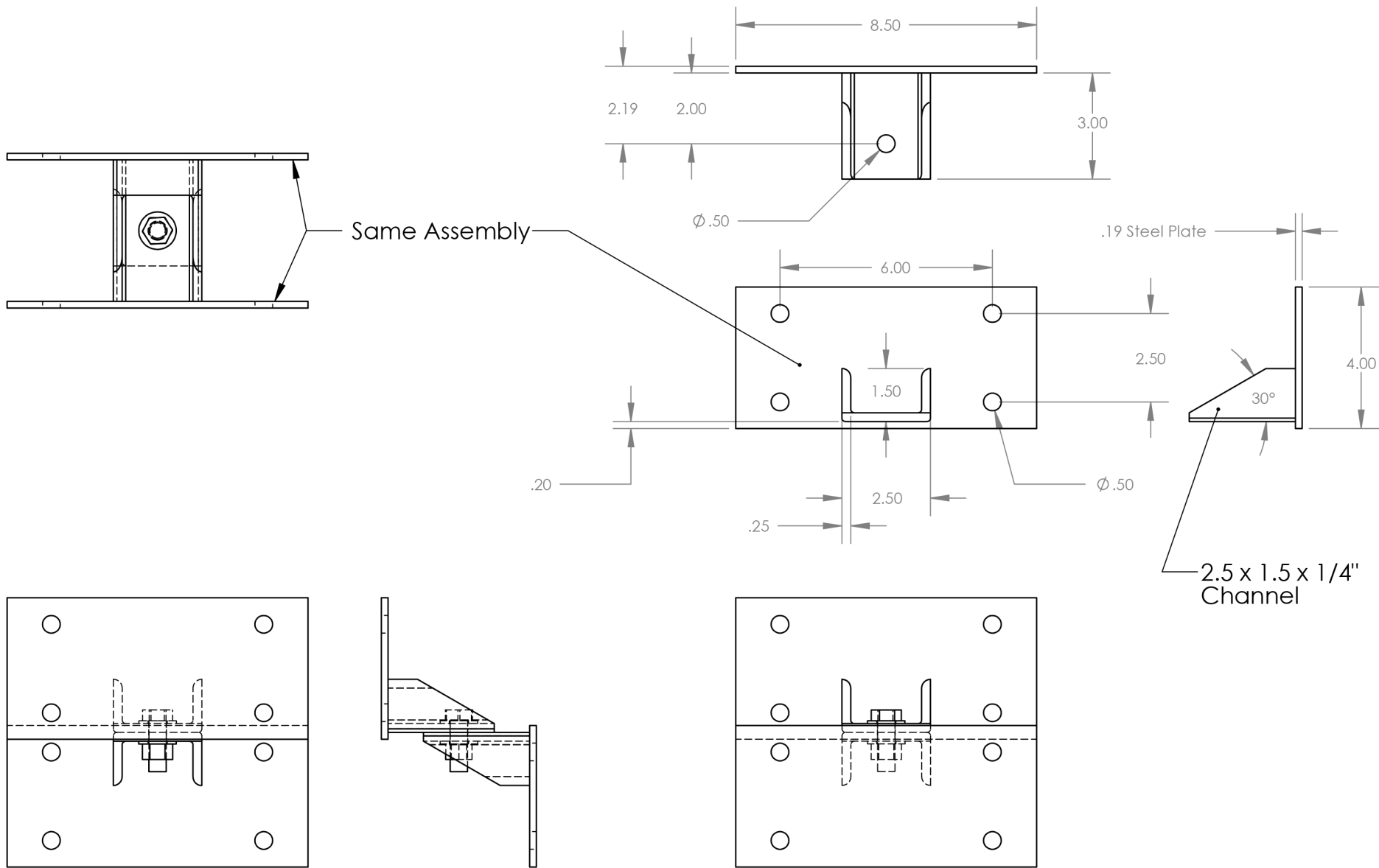
DRAWN TBW 2/21/2014
 ENG APPR.
 MFG APPR.
 Q.A.

Danley Sound Labs
 TITLE: Wall Bracket Hinge 90 Degree



SIZE **A** REV 1

SCALE: 1:4 Last Save Date: Friday, February 21, 2014 3:17:55 PM



PROPRIETARY AND CONFIDENTIAL
 THE INFORMATION CONTAINED IN THIS DRAWING IS THE SOLE PROPERTY OF DANLEY SOUND LABS, ANY REPRODUCTION IN PART OR AS A WHOLE WITHOUT THE WRITTEN PERMISSION OF DANLEY SOUND LABS IS PROHIBITED.

MATERIAL
 FINISH
 DO NOT SCALE DRAWING

UNLESS OTHERWISE SPECIFIED:
 DIMENSIONS ARE IN INCHES
 TOLERANCES:
 FRACTIONAL \pm
 ANGULAR: MACH \pm BEND \pm
 TWO PLACE DECIMAL \pm
 THREE PLACE DECIMAL \pm

DRAWN TBW 6/5/2014
 ENG APPR.
 MFG APPR.
 Q.A.

Danley Sound Labs
 TITLE: Wall Bracket Hinge 45 Degree
 SIZE **A**
 SCALE: 1:4
 Last Save Date: Thursday, June 05, 2014 6:39:00 PM
 REV 1

