

PROPRIETARY AND CONFIDENTIAL
 THE INFORMATION CONTAINED IN THIS DRAWING IS THE SOLE PROPERTY OF DANLEY SOUND LABS, INC. ANY REPRODUCTION IN PART OR AS A WHOLE WITHOUT THE WRITTEN PERMISSION OF DSNLEY SOUND LABS, INC. IS PROHIBITED.

MATERIAL

FINISH

DO NOT SCALE DRAWING

UNLESS OTHERWISE SPECIFIED:
 DIMENSIONS ARE IN INCHES
 TOLERANCES:
 FRACTIONAL ±
 ANGULAR: MACH ± BEND ±
 TWO PLACE DECIMAL ±
 THREE PLACE DECIMAL ±

DRAWN CBH 10/22/2014

ENG APPR.

MFG APPR.

Q.A.

Danley Sound Labs



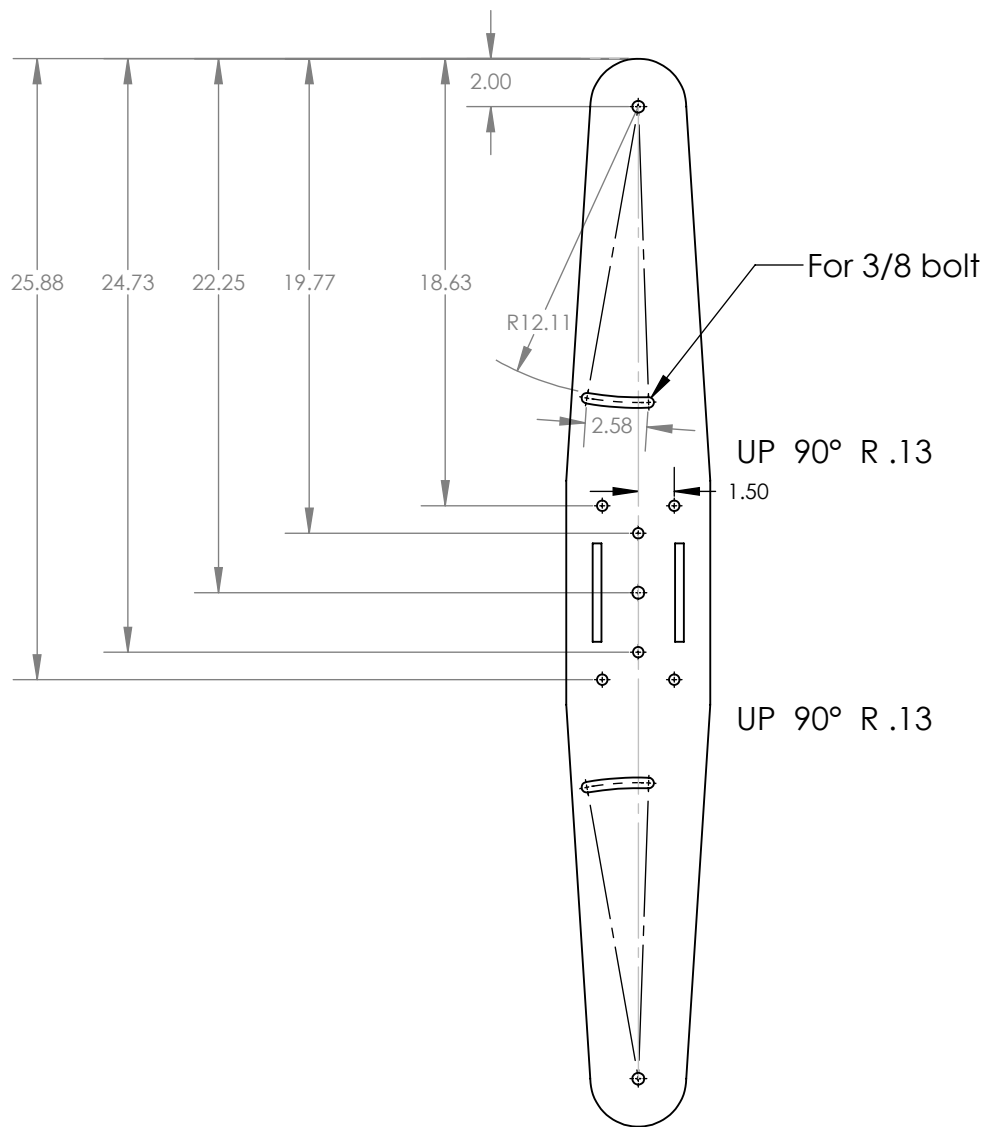
TITLE: SBH20 U Bracket

SIZE **A**

REV: A

SCALE: 1:8

Last Save Date: Wednesday, October 22, 2014 2:42:02 PM



PROPRIETARY AND CONFIDENTIAL
 THE INFORMATION CONTAINED IN THIS DRAWING IS THE SOLE PROPERTY OF DANLEY SOUND LABS, INC. ANY REPRODUCTION IN PART OR AS A WHOLE WITHOUT THE WRITTEN PERMISSION OF DSNLEY SOUND LABS, INC. IS PROHIBITED.

MATERIAL
 FINISH
 DO NOT SCALE DRAWING

UNLESS OTHERWISE SPECIFIED:
 DIMENSIONS ARE IN INCHES
 TOLERANCES:
 FRACTIONAL ±
 ANGULAR: MACH ± BEND ±
 TWO PLACE DECIMAL ±
 THREE PLACE DECIMAL ±

DRAWN	CBH	10/22/2014
ENG APPR.		
MFG APPR.		
Q.A.		

Danley Sound Labs		
TITLE: SBH20 U Bracket Flat Pattern		
SIZE A	REV: A	
SCALE: 1:8	Last Save Date: Wednesday, October 22, 2014 2:42:02 PM	