

# J7-95

## 3 Way High Output Full Range Loudspeaker



The Jericho product line stands in a class by itself. The Synergy Horn™ technology is the building block for these unique, high output single source designs but additional Danley technologies are also employed for mid and high frequency combining and low frequency loading.

The J7-95 is the most compact product in the Jericho family, but it is true to the line in that it maintains a remarkably high driver density. 18 drivers are connected to a single horn with the (8) x 1" compression drivers mated to a fifth-generation high frequency combiner, (6) x 10" horn loaded low frequency and (4) x 6" mids all result in excellent response in both magnitude and phase.

The 13 ply Baltic Birch used throughout the enclosure is encased in Polyurea for protection from impact and atmospheric conditions. Install and touring versions are equipped with M10 rig points. Our EW (Extreme Weather) variant offers the ultimate in protection from the elements due to the use of high-density polyurethane panels impregnated with fiberglass fibers in the place of standard plywood.

As an added layer of protection, we include our Sentinel™ high frequency driver protection circuitry which is a multistage limiter that protects the high frequency driver in the event of overloads (peaks or long term). It is inaudible during normal operation, so dynamic range is not compromised. Utilize our DNA amplifiers or processor for maximum performance and protection with industry leading DSP capabilities.

The footprint, output, weight, and fidelity make the J7 the closest thing to a "utility" Jericho Horn that Danley has ever made, and thus its potential applications are incredibly diverse.

### Performance Specifications

#### Operating Mode

Bi-amplified three-way loudspeaker (Low | Mid/High)

#### Operating Range

60 Hz - 19 kHz +/- 3 dB

#### Coverage Pattern

90° horizontal x 50° vertical

#### Transducers

LF 6x 10", MF 4x 6.5", HF 8x 1"

#### Power Handling

Low 4200 W Cont. | 16,800 W Peak

M/H 2000 W Cont. | 8,000 W Peak

#### Sensitivity

Low 103dB, M/H 109dB (measured as 28.3V @10m distance)

#### Maximum SPL (continuous | peak)

141 dB | 147 dB

#### M Noise

Coming Soon

#### Impedance

Low 4 Ohm | Mid/High 4 Ohm

#### Recommended Power Amplifier

DNA 20K4 Pro

### Physical Specifications

#### Connections (J7-95)

(1) Neutrik NL8 Speakon

Pin 1+/- | Low Frequency Pin 2+/- | Mid/High Frequency

Pin 3+/- | Through 1 Pin 4+/- | Through 2

(2) Neutrik NL4 Speakon Inputs

Pin 1+/- | Low Frequency Pin 2+/- | Mid/High Frequency

(2) Neutrik NL4 Speakon Outputs

Pin 1+/- | Through 1 Pin 2+/- | Through 2

#### Connections (J7-95-EW)

2x 2 Conductor Lead-in Wire

#### Mounting / Suspension Points

M10 rigging points

#### Dimensions / Weight

36 x 24 x 24 in | 915 x 610 x 610 mm

265 lbs | 120 kg

#### Finish

Black polyurea coated enclosure w/ matte black grille, or

White polyurea coated enclosure w/ matte white grille

Gray UV resistant painted enclosure w/ matte grey grille

#### Enclosure Material

18mm Baltic Birch, polyurea coated

18mm high-density polyurethane

#### Options

J7-95

J7-95-EW J7-95, Extreme Weather

#### Accessories

J7-95-DOLLY Transport dolly

BRKT-J7BB-B J7 Bumper Bar, BLACK

BRKT-J7BB-C J7 Bumper Bar, Custom Color

BRKT-J7BB-W J7 Bumper Bar, WHITE

Rev.1 220304

# J7-95

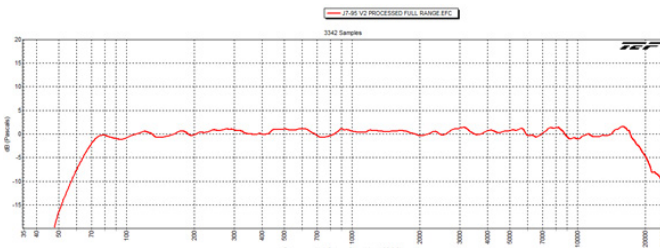
## 3 Way High Output Full Range Loudspeaker



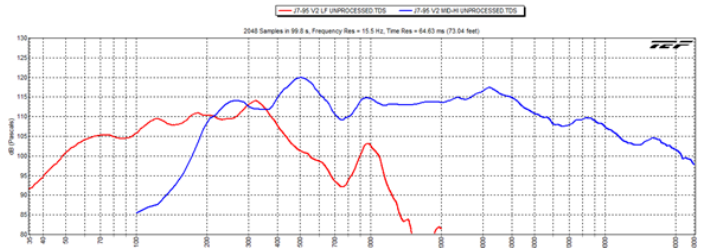
### ARCHITECT/ENGINEERS SPECS

The loudspeaker shall utilize the synergy horn enclosure. The loudspeaker shall have an operating range of 60Hz - 14KHz. Sensitivity of low section was measured at 103 dB SPL and mid/high section 109 dB SPL (measured at 28.3V @10m distance). Output of 144 dB SPL Program/147 dB SPL Peak. Power handling shall be 4200 Watts cont. for lows and 2000 watts cont. for mid/highs. Recommended DSP amplifier shall be the Danley Sound Labs DNA 20K4 Pro. The loudspeaker shall be constructed of 13 ply, 18mm Baltic Birch, polyurea coated. The loudspeaker shall be the Danley Sound Labs J7-95.

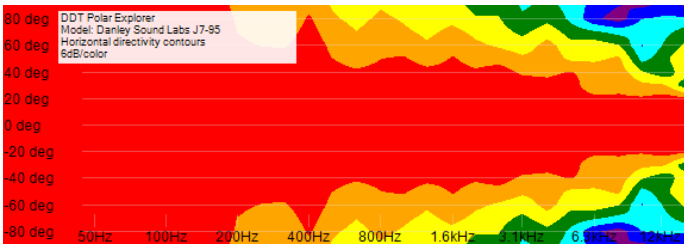
Processed Sensitivity



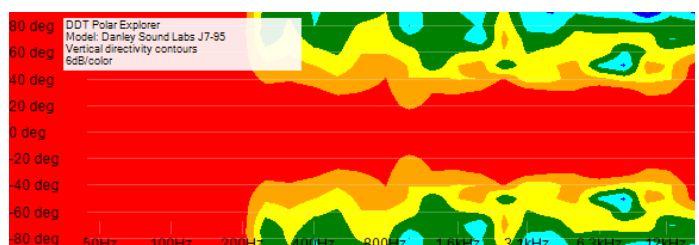
Unprocessed Sensitivity



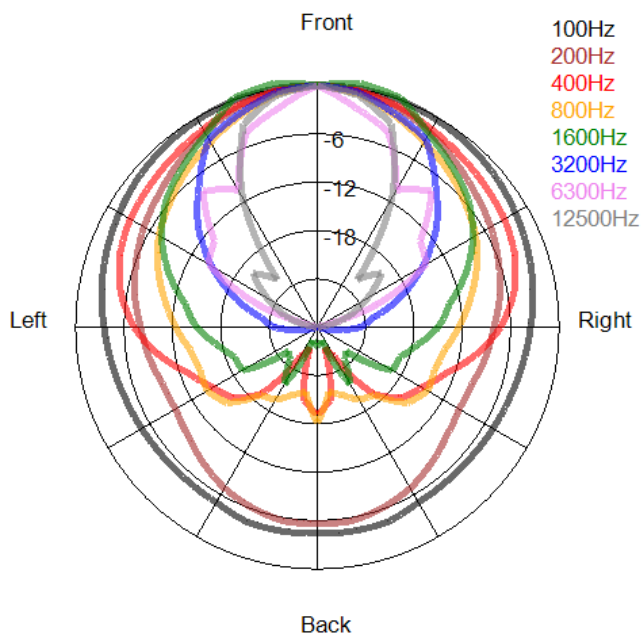
Horizontal Directivity Contours



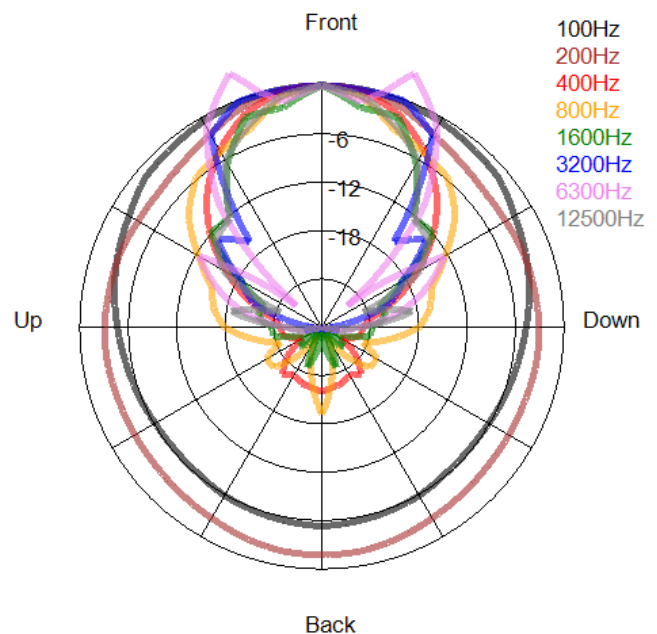
Vertical Directivity Contours



Horizontal Polar Response



Vertical Polar Response



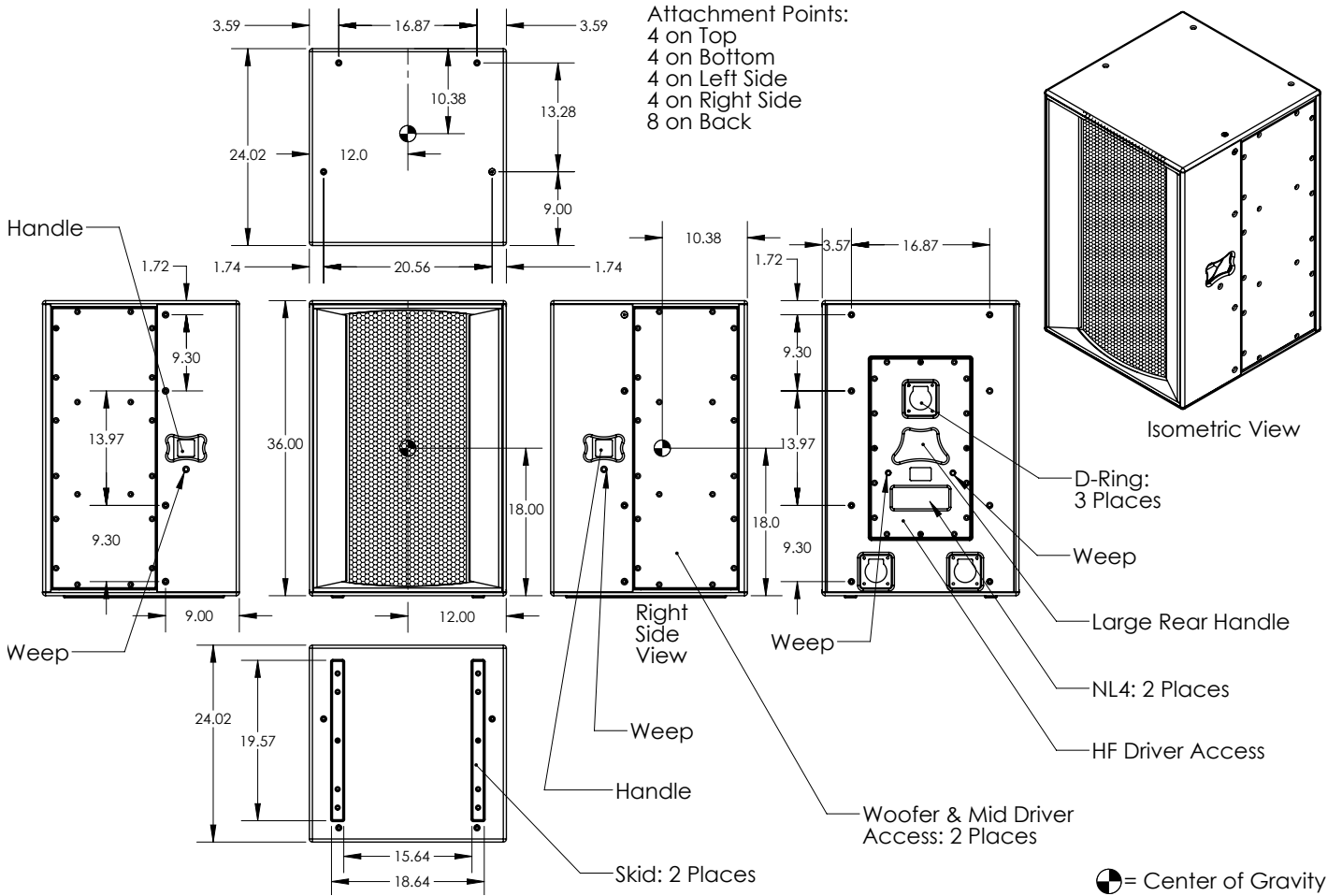
Rev.1 220304

# J7-95

## 3 Way High Output Full Range Loudspeaker



J7-95



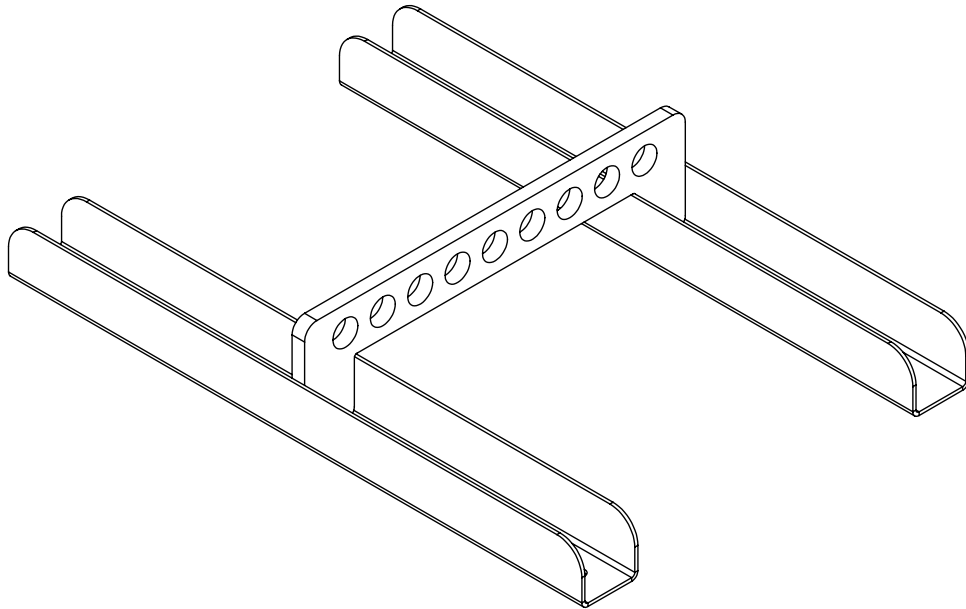
Rev.1 220304

# J7-95

3 Way High Output Full Range Loudspeaker



BRKT-J7BB



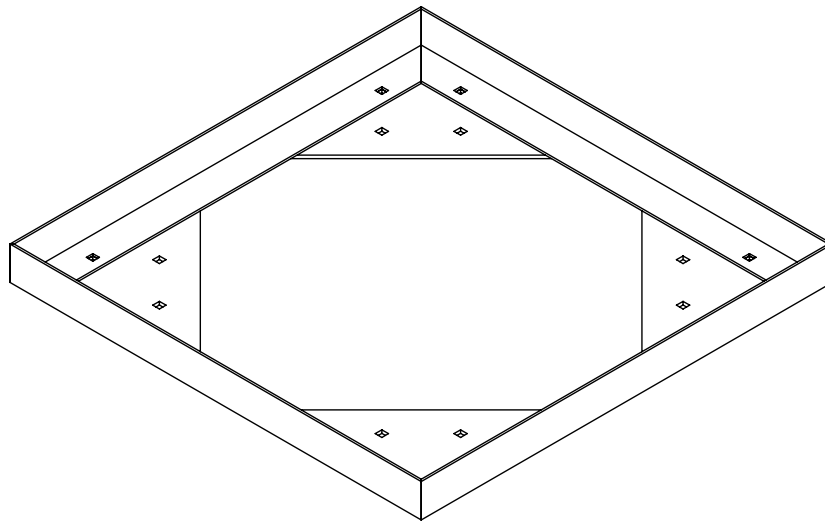
Rev.1 220304

# J7-95

3 Way High Output Full Range Loudspeaker



J7-95-DOLLY Frame



Rev.1 220304