



# BRKT-P45 & BRKT-P90

Thank you for purchasing the SBH Pan Bracket. The kit should include the following:

8 x 3/8 bolt

10 x 3/8 nylock nut

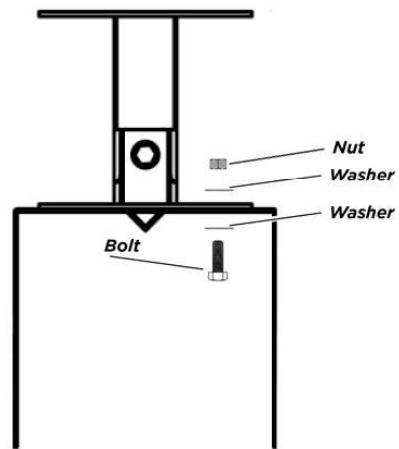
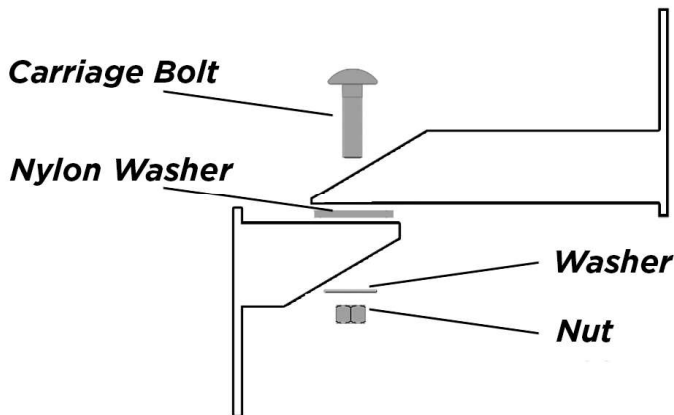
18 x 3/8 washer

2 x 3/8 carriage bolt

2 x 1/2" nylon washer

2 x BRKT-P45 or P-90 Bracket Sets

Below is an illustration of how the Pan Bracket attaches to the wall mount tilt. The purpose of the kit is to add pan to your wall mounted loudspeaker.



90 Degree Hinge:

45 Degree Hinge:

