

OS12CX

2 Way Outdoor Loudspeaker



The OS12CX is Danley's answer for those who are looking for a high-performance speaker in an outdoor enclosure that is impervious to weather. Featuring a 12"/1" coaxial driver the loudspeaker is designed for shorter throw applications from a compact full range Synergy Horn™. Utilizing a Synergy crossover network allows for proper phase alignment between frequency bands. This permits the physically separated bands to combine and emerge from the horn as a single source, greatly reducing off axis distortions in frequency response and allowing for greater clarity at long distances. A Sentinel™ protection circuit offers an added level of protection to the high frequency driver. The OS12CX includes a heavy-duty aluminum mounting bracket and angle strap.

Utilize our DNA amplifiers or processor for maximum performance and protection with industry leading DSP capabilities.

Performance Specifications

Operating Mode

Two-way single channel amplified

Operating Range

69Hz - 21.7KHz +/-3dB

57Hz - 24KHz - 10dB

Coverage Pattern

90 conical

Transducers

Low 1x12", High 1x1"

Power Handling

300 W Cont. | 1200 W Peak

Sensitivity measured as 2.83V @1m distance

95 dB

Maximum SPL (continuous | peak)

119 dB | 125 dB

M Noise

coming soon

Impedance

8 Ohm

Recommended Power Amplifier

600 Watts @ 8 Ohm

Physical Specifications

Connections (OS12CX-NL)

(2) Neutrik NL4 Speakon wired in Parallel

Pin 1+/- | Full Range

Pin 2+/- | Pass Through

Connections (OS12CX)

1x 2 Conductor 14 Gauge Lead-in Wire

Mounting / Suspension Points

U-bracket included - 3x 3/8 - 16 TPI Studs

Pole Mount Kit Available

Dimensions / Weight

29.6 x 26 x 10.75 in. | 752 x 660 x 273 mm.

40 lbs | 18 Kg

Finish

Matte Gray - Aluminium Bracket & Grill

Matte Black - Black Powder Coated Bracket & Grill

Enclosure Material

Thermal Molded Poly-composite

Options

OS12CX-G Gray Install Version

OS12CX-B Black Install Version

OS12CX-G-NL Gray Install Version W/ NL4 Inputs

OS12CX-B-NL Black Install Version W/ NL4 Inputs

Accessories

BRKT-PMK1 Pole Mount Kit for 1 OS Speaker

BRKT-PMK2 Pole Mount Kit for 2 OS Speakers

BRKT-PMK1-HD Heavy Duty Pole Mount Kit for 1 OS Speaker, 1 THmini15

BRKT-PMK2-HD Heavy Duty Pole Mount Kit for 2 OS Speaker, 1 THmini15

BRKT-SAK Safety Anchor Kit

Rev. 202210071614

OS12CX

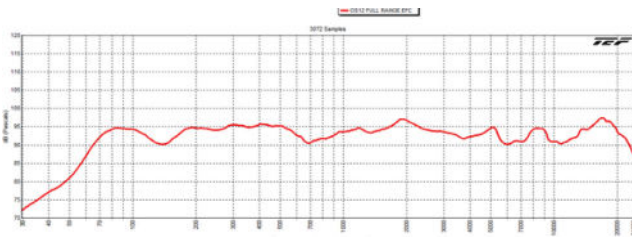
2 Way Outdoor Loudspeaker



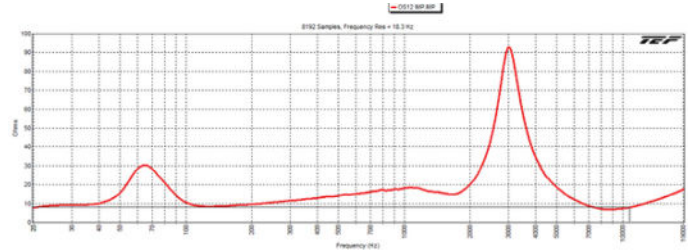
ARCHITECT/ENGINEERS SPECS

The loudspeaker shall utilize the Synergy patented crossover network. The coverage pattern shall be 90° conical. The loudspeaker shall have an operating range of 69Hz -21.7kHz +/-3dB. Sensitivity of 95 dB SPL (measured at 1M @ 2.83V input). Output of 119 dB SPL Continuous/125 dB SPL Peak. Power handling shall be 300 Watts cont. and 1200 Watts peak. The loudspeaker shall be constructed of Thermal molded Poly-composite. The Loudspeaker shall be the Danley Sound Labs OS12CX.

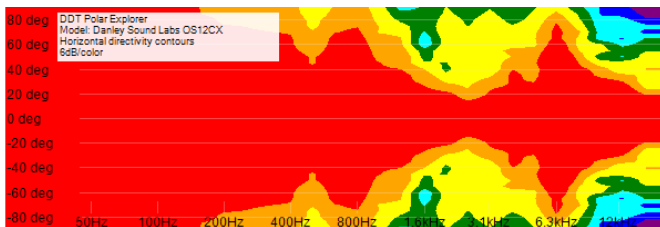
Sensitivity



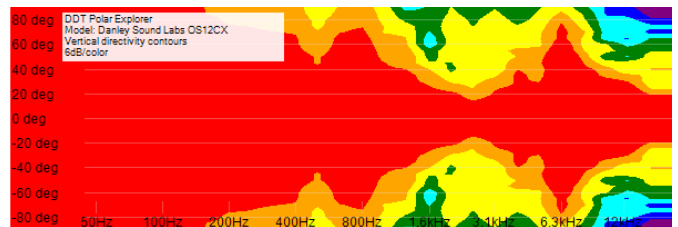
Impedance



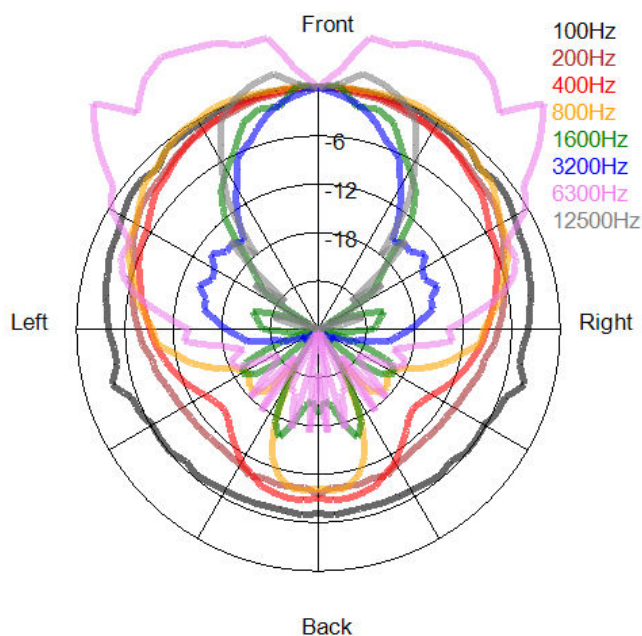
Horizontal Directivity Contour



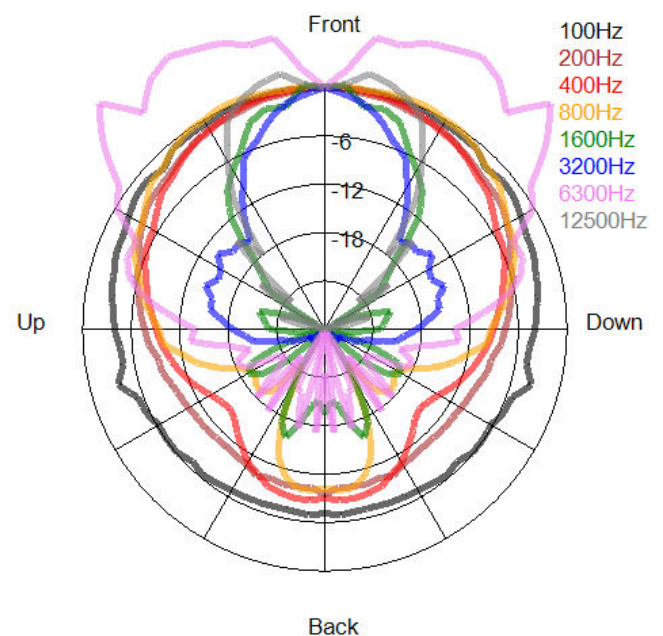
Vertical Directivity Contour



Horizontal Polar Response



Vertical Polar Response



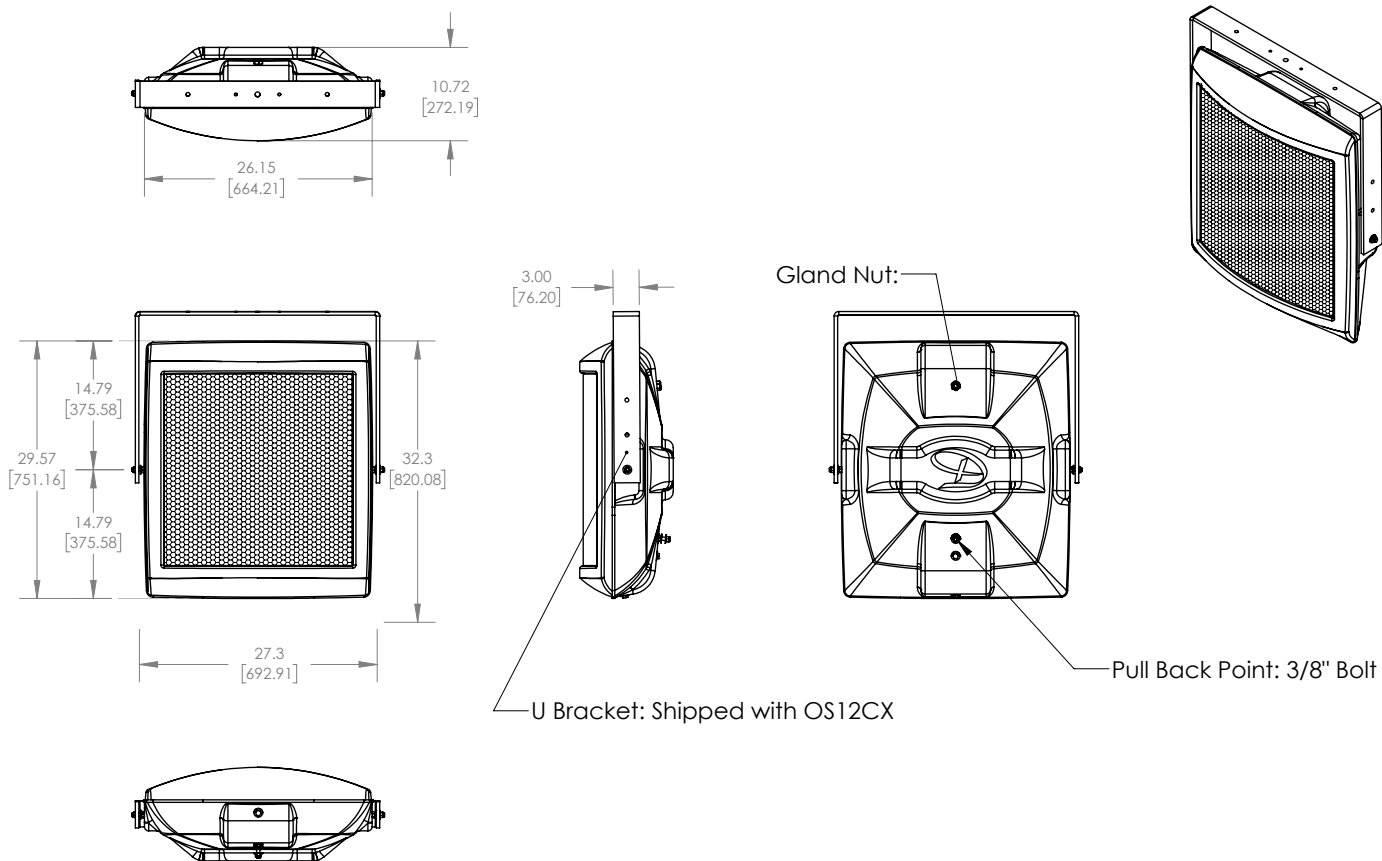
Rev. 202210071614

OS12CX

2 Way Outdoor Loudspeaker



OS12CX

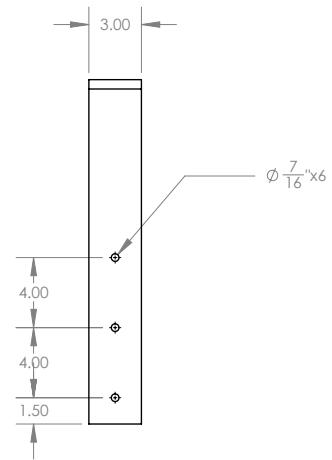
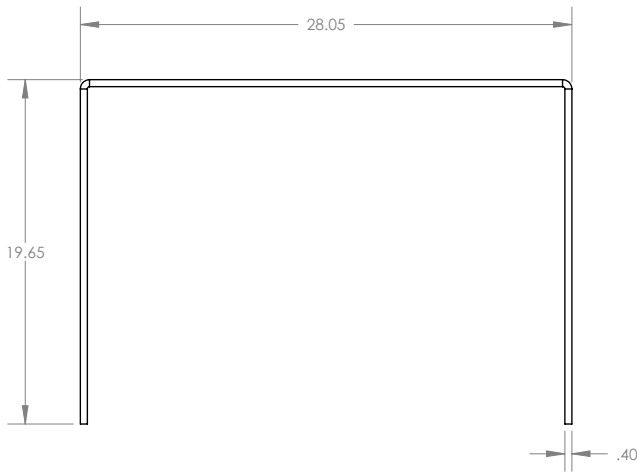
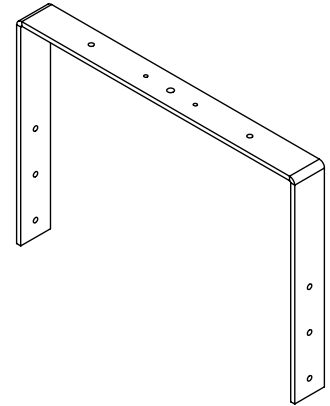
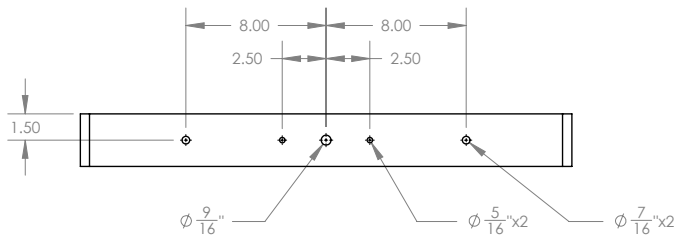


OS12CX

2 Way Outdoor Loudspeaker



U-Bracket

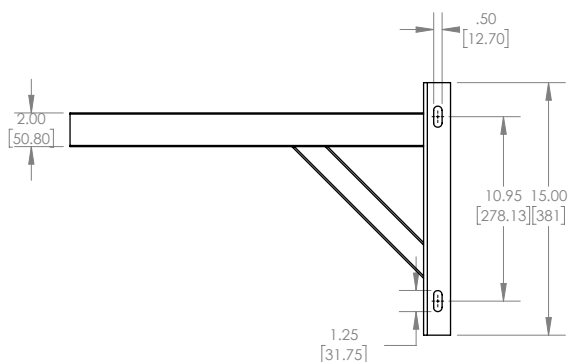
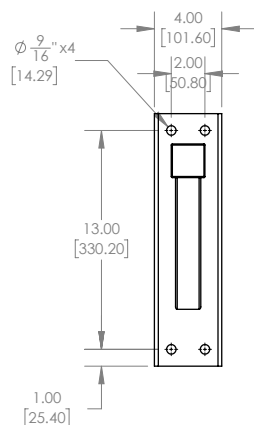
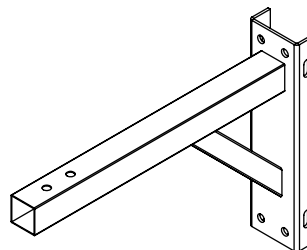
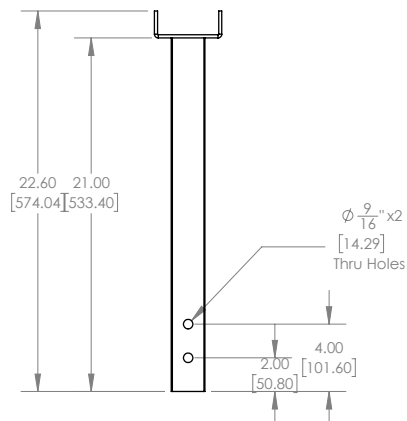


OS12CX

2 Way Outdoor Loudspeaker

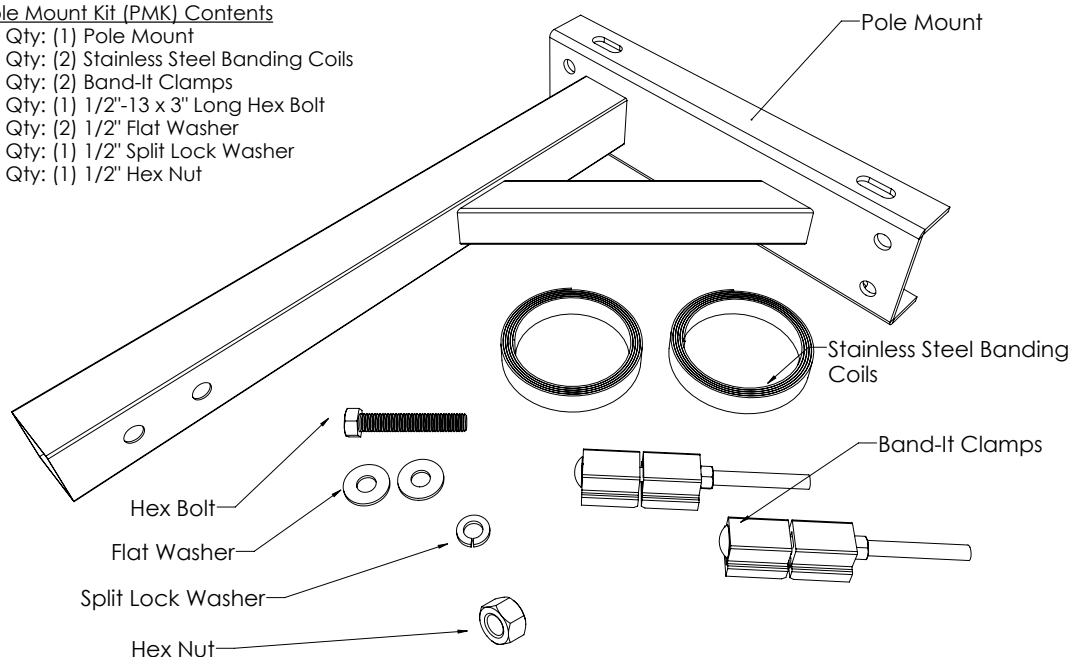


PMK 1 - Pole Mount Kit



Pole Mount Kit (PMK) Contents

- Qty: (1) Pole Mount
- Qty: (2) Stainless Steel Banding Coils
- Qty: (2) Band-It Clamps
- Qty: (1) 1/2"-13 x 3" Long Hex Bolt
- Qty: (2) 1/2" Flat Washer
- Qty: (1) 1/2" Split Lock Washer
- Qty: (1) 1/2" Hex Nut



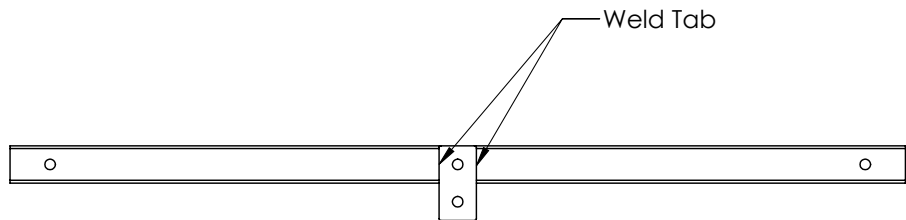
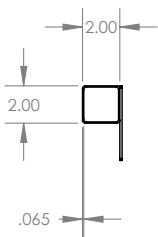
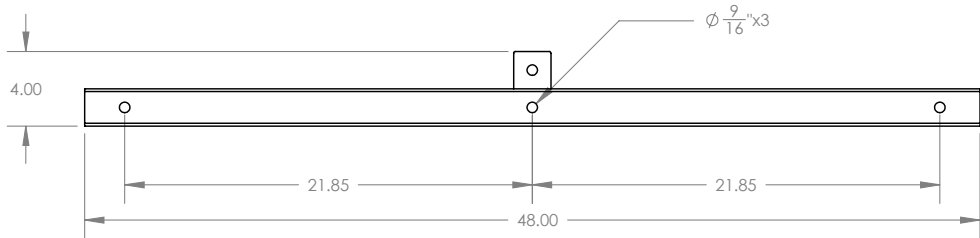
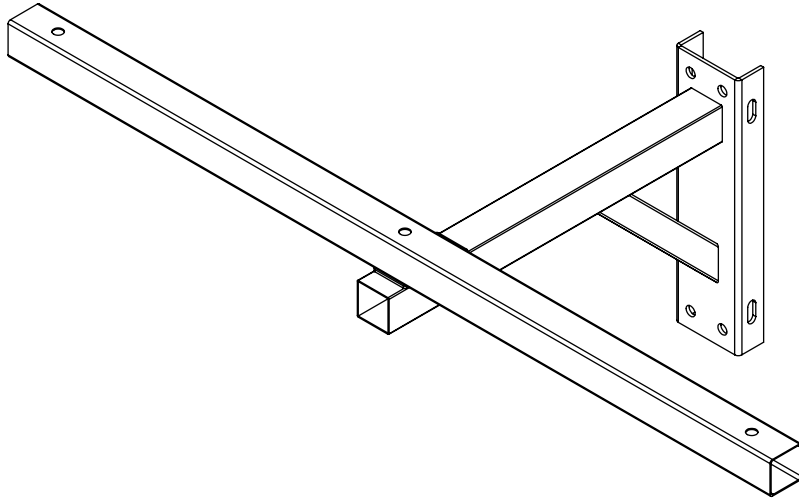
Rev. 202210071614

OS12CX

2 Way Outdoor Loudspeaker



PMK 2 - Pole Mount Kit



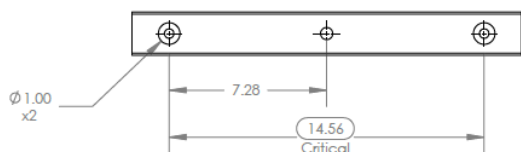
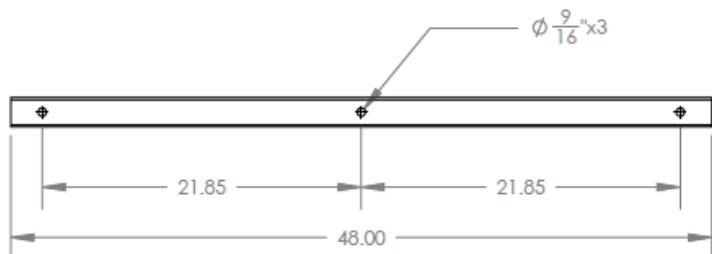
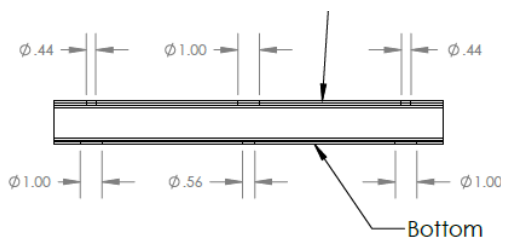
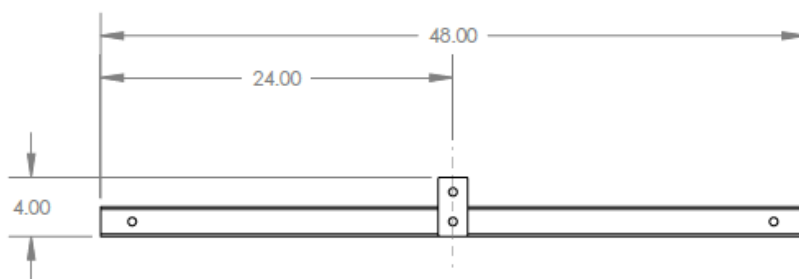
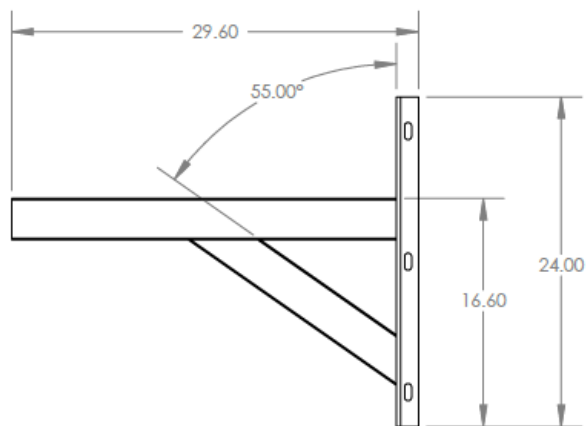
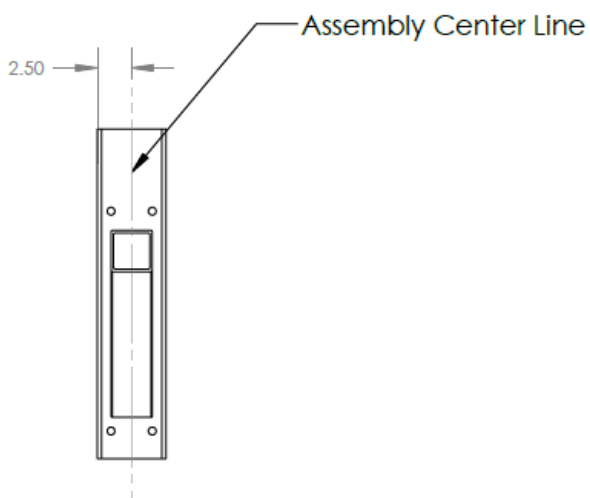
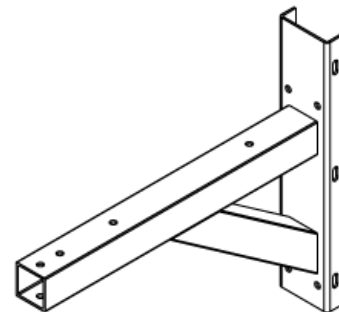
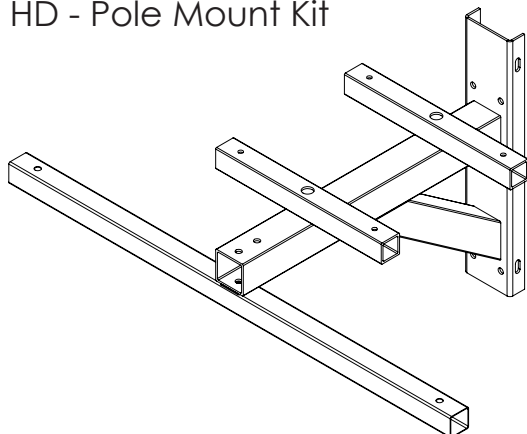
Rev. 202210071614

OS12CX

2 Way Outdoor Loudspeaker



PMK HD - Pole Mount Kit



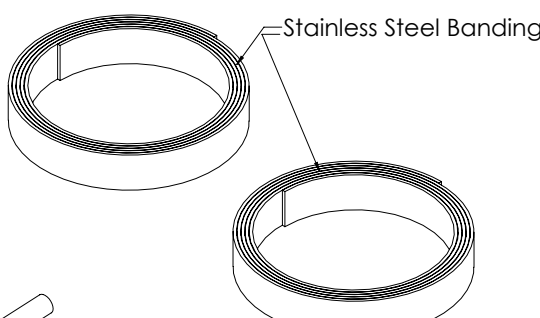
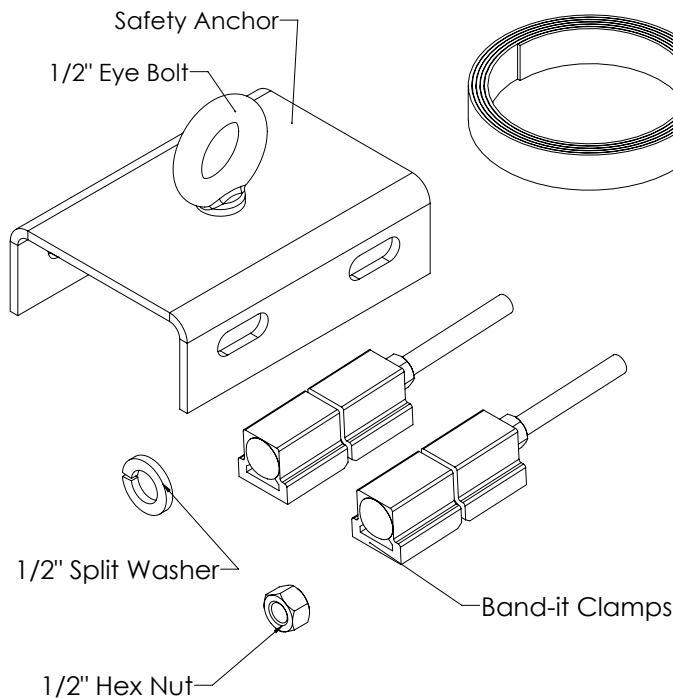
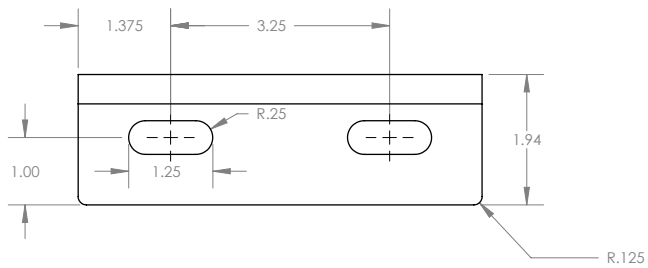
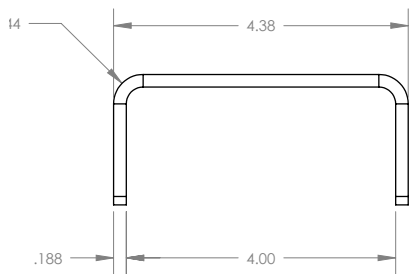
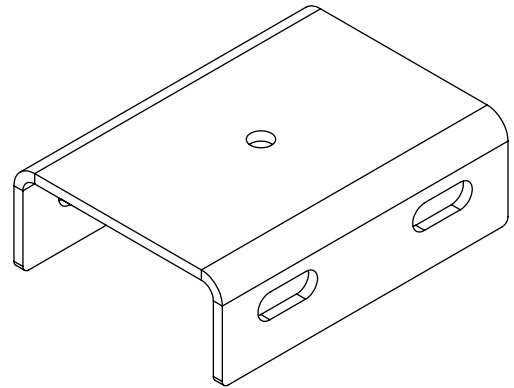
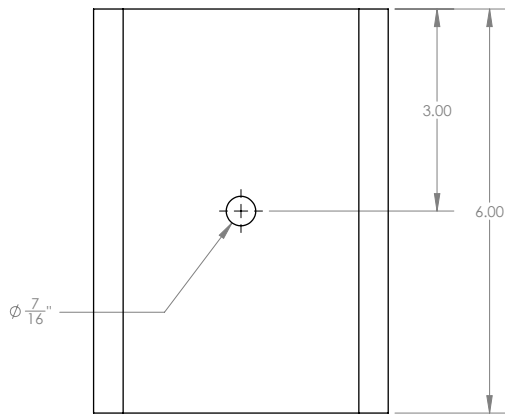
Rev. 202210071614

OS12CX

2 Way Outdoor Loudspeaker



SAK - Safety Anchor Kit



Safety Anchor Kit (SAK) Contents

- Qty: (1) 1/2" Eye Bolt
- Qty: (1) Safety Anchor
- Qty: (2) Stainless Steel Banding Coils
- Qty: (2) Band-it Clamps
- Qty: (1) 1/2" Hex Nut
- Qty: (1) 1/2" Split Washer

Rev. 202210071614