


PROPRIETARY AND CONFIDENTIAL THE INFORMATION CONTAINED IN THIS DRAWING IS THE SOLE PROPERTY OF DANLEY SOUND LABS. ANY REPRODUCTION IN PART OR AS A WHOLE WITHOUT THE WRITTEN PERMISSION OF DANLEY SOUND LABS IS PROHIBITED.	MATERIAL	UNLESS OTHERWISE SPECIFIED: DIMENSIONS ARE IN INCHES TOLERANCES: FRACTIONAL ± ANGULAR: MACH ± BEND ± TWO PLACE DECIMAL ± THREE PLACE DECIMAL ±	DRAWN	CBH	4/14/2022	Danley Sound Labs		
	FINISH		ENG APPR.			TITLE: PMK Assembly Dimensions		
	DO NOT SCALE DRAWING		MFG APPR.				SIZE A	REV: 5
			Q.A.				SCALE: 1:4	Last Save Date: Monday, April 11, 2022 4:08:02 PM

5

4

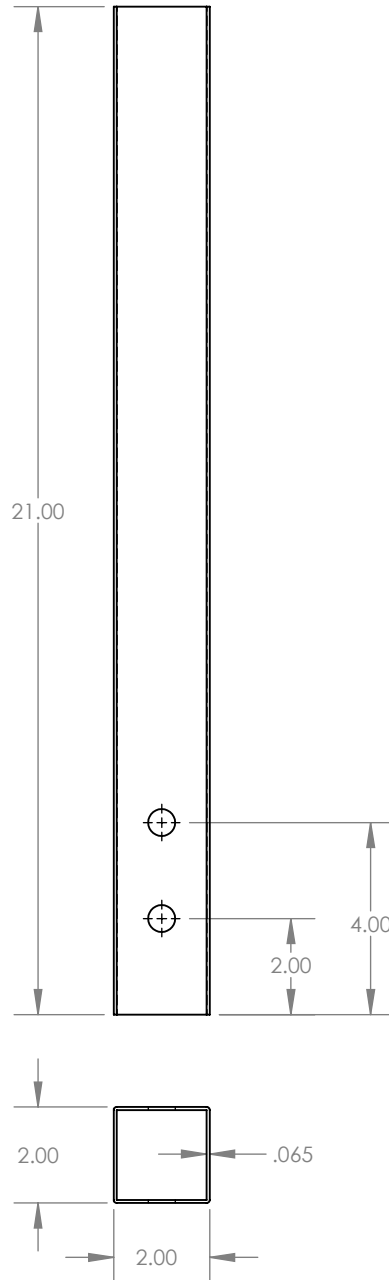
3

2

1

Note: 2x2" Stainless Steel Square Tubing

All internal and external edges to have radius, hand safe




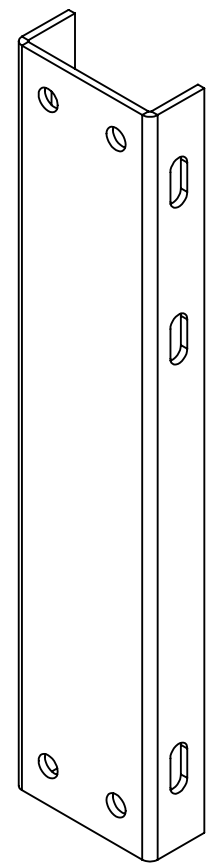
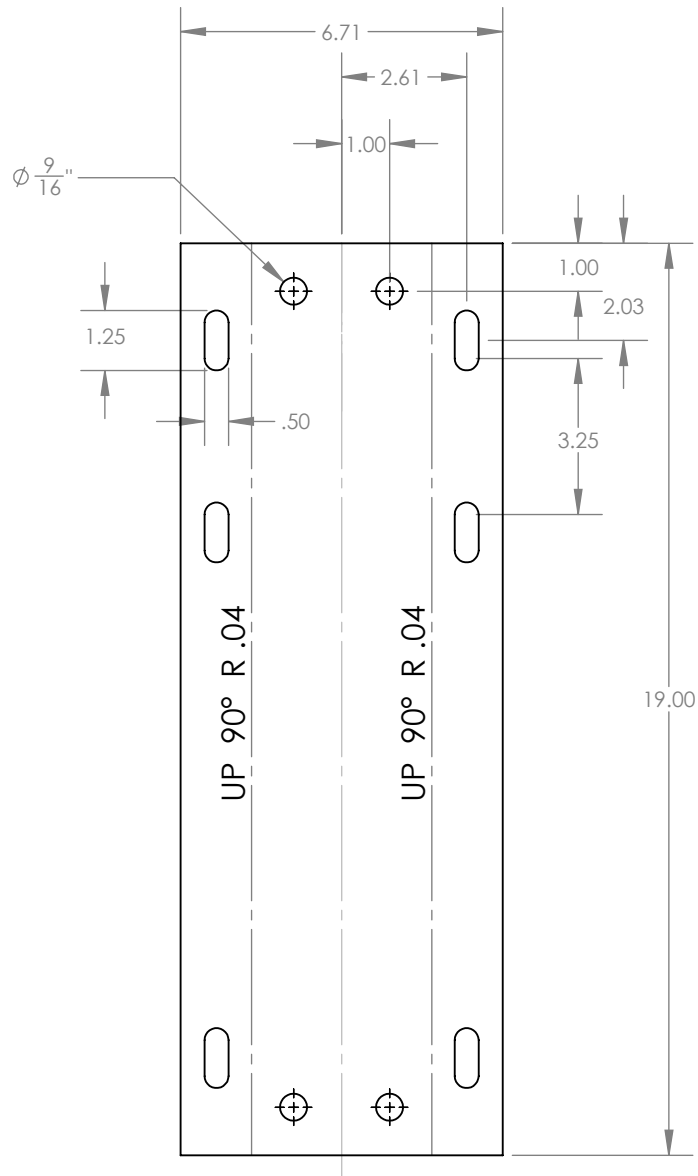
PROPRIETARY AND CONFIDENTIAL
 THE INFORMATION CONTAINED IN THIS DRAWING IS THE SOLE PROPERTY OF DANLEY SOUND LABS. ANY REPRODUCTION IN PART OR AS A WHOLE WITHOUT THE WRITTEN PERMISSION OF DANLEY SOUND LABS IS PROHIBITED.

MATERIAL
 FINISH
 DO NOT SCALE DRAWING


UNLESS OTHERWISE SPECIFIED:
 DIMENSIONS ARE IN INCHES
 TOLERANCES:
 FRACTIONAL ±
 ANGULAR: MACH ± BEND ±
 TWO PLACE DECIMAL ±
 THREE PLACE DECIMAL ±

DRAWN	CBH	4/14/2022
ENG APPR.		
MFG APPR.		
Q.A.		

Danley Sound Labs		
TITLE: OS PMK Arm		
SIZE A	REV: 5	
SCALE: 1:4	Last Save Date: Monday, April 11, 2022 4:08:02 PM	



All internal and external edges to have radius, hand safe

PROPRIETARY AND CONFIDENTIAL THE INFORMATION CONTAINED IN THIS DRAWING IS THE SOLE PROPERTY OF DANLEY SOUND LABS. ANY REPRODUCTION IN PART OR AS A WHOLE WITHOUT THE WRITTEN PERMISSION OF DANLEY SOUND LABS IS PROHIBITED.	MATERIAL	UNLESS OTHERWISE SPECIFIED: DIMENSIONS ARE IN INCHES TOLERANCES: FRACTIONAL ± ANGULAR: MACH ± BEND ± TWO PLACE DECIMAL ± THREE PLACE DECIMAL ±	DRAWN	AAD	4/14/2022	Danley Sound Labs		
	FINISH		ENG APPR.			TITLE: PMK Base		
	DO NOT SCALE DRAWING		MFG APPR.			SIZE A	REV: 5	
			Q.A.			SCALE: 1:4	Last Save Date: Monday, April 11, 2022 4:08:02 PM	

5

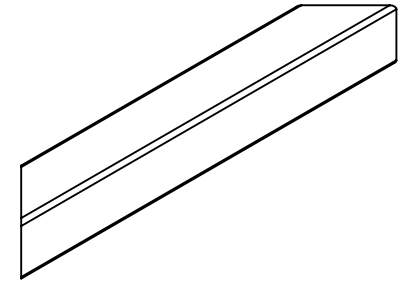
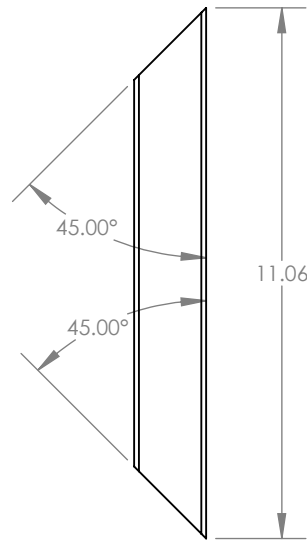
4

3

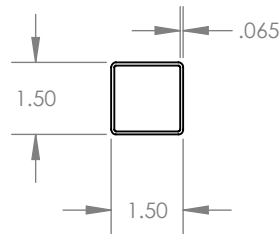
2

1

Note: 1.50x1.50" Stainless Steel Square Tubing



All internal and external edges to have radius, hand safe



PROPRIETARY AND CONFIDENTIAL THE INFORMATION CONTAINED IN THIS DRAWING IS THE SOLE PROPERTY OF DANLEY SOUND LABS. ANY REPRODUCTION IN PART OR AS A WHOLE WITHOUT THE WRITTEN PERMISSION OF DANLEY SOUND LABS IS PROHIBITED.	MATERIAL	UNLESS OTHERWISE SPECIFIED: DIMENSIONS ARE IN INCHES TOLERANCES: FRACTIONAL ± ANGULAR: MACH ± BEND ± TWO PLACE DECIMAL ± THREE PLACE DECIMAL ±	DRAWN	CBH	4/14/2022	Danley Sound Labs		
	FINISH		ENG APPR.			TITLE: PMK Arm Support		
	DO NOT SCALE DRAWING		MFG APPR.				SIZE A	REV: 5
			Q.A.				SCALE: 1:4	Last Save Date: Monday, April 11, 2022 4:08:02 PM

5

4

3

2

1